

# Fulcrum Table Light



Cheshire Architects | 2019

The Fulcrum Lamp is the modern re-expression of an archetype, with a free formed silhouette and a pivotal shade that allows the lamp to take on new form from every angle.

Fulcrum's shade can be rotated with the gentle sweep of a finger. Raising the light output from a soft glow to full brightness as the shade pivots through a seamless transition of cantilevered rotations, it is composed of a Japanese paper shade and either a sand-cast silicon bronze or cork base.

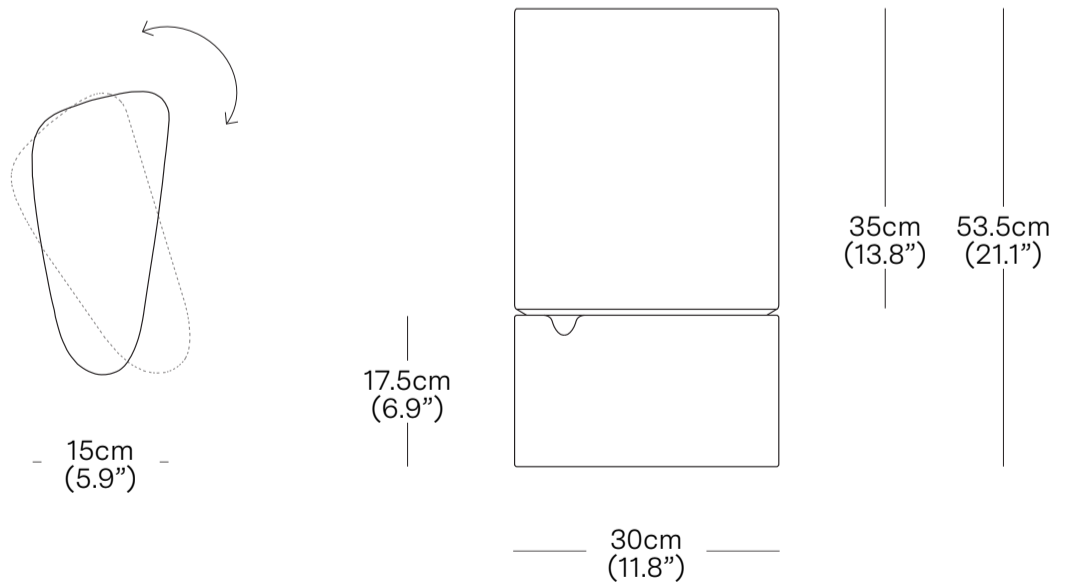
<b>MATERIALS</b>
Bronze or Cork, Paper
<b>PRODUCT ENVIRONMENT</b>
Indoor Use Only
<b>CONTRACT USE</b>
Yes
<b>CERTIFICATION</b>
CE
<b>WARRANTY</b>
3 years
<b>COUNTRY OF ORIGIN</b>
New Zealand

<b>CODE</b>	<b>PRODUCT</b>
FUL001	Fulcrum Table Light - Bronze & Paper
FUL002	Fulcrum Table Light - Cork & Paper

<b>LIGHT SOURCE</b>
UK&EUR E27 LED Bulb, USA E26 LED Bulb
<b>VOLTAGE</b>
UK&EUR 220-240V, USA 120V
<b>POWER USAGE</b>
5W (40W equiv)
<b>LUMENS</b>
470lm
<b>COLOUR TEMP</b>
2700k
<b>CRI</b>
90
<b>LIFESPAN</b>
15,000 Hrs
<b>CABLE</b>
280 cm (110.2in)
<b>DIMMING</b>
Integrated dimming system, activated by turning the shade and comes standard with a dimmable LED bulb.



**PRODUCT WEIGHT**  
 Bronze 12 kg (26.5 lbs)  
 Cork: 2.6 kg (5.7 lbs)



<b>PACKAGED DIMENSIONS</b>		
L x W x H	Cubage	Weight
<b>Bronze</b>		
50 x 26 x 22 cm	0.03 m3	17.5 kg
19.7 x 10.2 x 8.7 in	1.1 ft3	38.6 lbs
<b>Cork</b>		
50 x 26 x 22 cm	0.03 m3	7.5 kg
19.7 x 10.2 x 8.7 in	1.1 ft3	16.5 lbs
<b>COMMODITY CODE</b>	9405423990	

\* Components drawn in relative scale. Refer to CAD files for accurate drawings.