

Circus 500 Pendant - Black



Resident Studio | 2021

Circus is a remarkable system of interconnected rings which can be arranged in sequence to create striking vertical decoration. Each brass ring projects an elegantly diffused warm LED light source outwards around a 360 degree plane.

A revolutionary plug and play system allows for power sharing between rings and a large range of variations to suit spaces of various shapes and sizes. Circus is a theatrical and truly flexible system ideal for both commercial and residential environments.

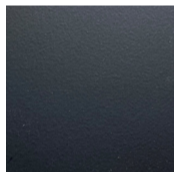
MATERIALS
Aluminium, Acrylic
CEILING ROSE
Matt Black Aluminium
PRODUCT ENVIRONMENT
Indoor Use Only
CONTRACT USE
Yes
CERTIFICATION
CE
WARRANTY
3 years
COUNTRY OF ORIGIN
New Zealand

CODE	PRODUCT
CIR022B	Circus 500 Pendant, 2 Rings Black
CIR023B	Circus 500 Pendant, 3 Rings Black
CIR024B	Circus 500 Pendant, 4 Rings Black
CIR025B	Circus 500 Pendant, 5 Rings Black
CIR026B	Circus 500 Pendant, 6 Rings Black

LIGHT SOURCE
Integrated LED
VOLTAGE
24V
POWER USAGE
38.4W Per Ring
LUMENS
4608lm Per Ring
COLOUR TEMP
3000k
CRI
95
LIFESPAN
50,000 Hrs
CABLE
Min 30 cm (12 in) - Max 500 cm (196.9 in)
DIMMING
2-3 Rings is dimmable as standard with a 0-10V receiver. 5-6 Rings is not dimmable as standard. Alternate dimming options available on request.

FINISHES

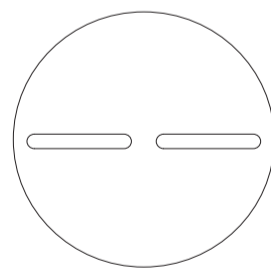
black



PRODUCT WEIGHT

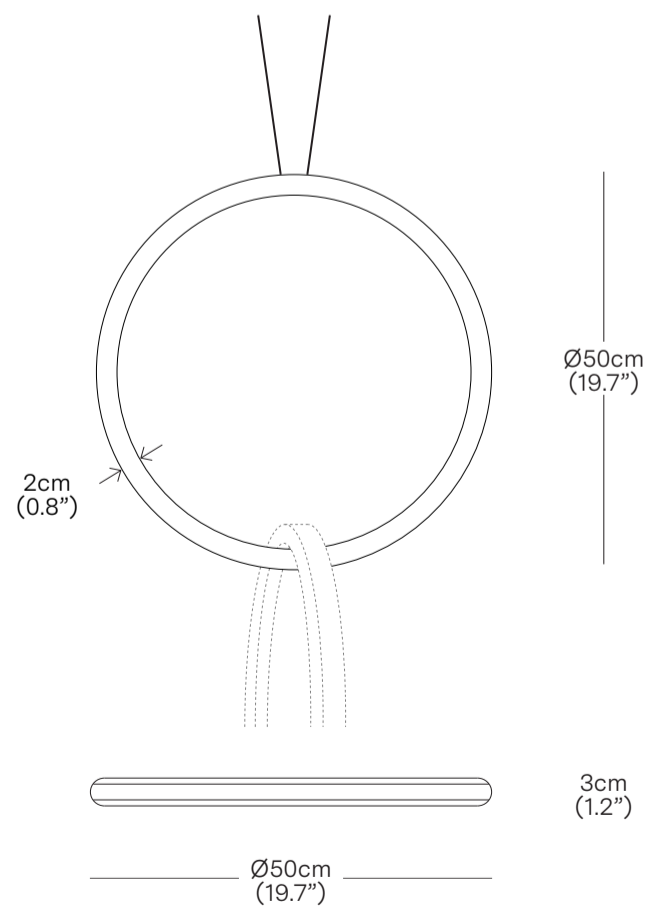
2 Rings: 6.2 kg (13.7 lbs)
6 Rings: 15.4 kg (34 lbs)

PACKAGED DIMENSIONS		
L x W x H	Cubage	Weight
2 Rings		
62 x 55 x 9.5 cm	0.03 m3	9.5 kg
24.4 x 21.7 x 3.7 in	1.1 ft3	20.9 lbs
6 Rings		
62 x 55 x 57 cm	0.19 m3	22.7 kg
24.4 x 21.7 x 22.4 in	6.7 ft3	50.1 lbs
COMMODITY CODE	9405423990	



Ø28.5cm (11.2")

Ceiling Rose



* Components drawn in relative scale. Refer to CAD files for accurate drawings.

Circus 500 Pendant - Brass



Resident Studio | 2017

Circus is a remarkable system of interconnected rings which can be arranged in sequence to create striking vertical decoration. Each brass ring projects an elegantly diffused warm LED light source outwards around a 360 degree plane.

A revolutionary plug and play system allows for power sharing between rings and a large range of variations to suit spaces of various shapes and sizes. Circus is a theatrical and truly flexible system ideal for both commercial and residential environments.

MATERIALS
Brass, Acrylic
CEILING ROSE
Matt Black Aluminium
PRODUCT ENVIRONMENT
Indoor Use Only
CONTRACT USE
Yes
CERTIFICATION
CE
WARRANTY
3 years
COUNTRY OF ORIGIN
New Zealand

CODE	PRODUCT
CIR022BR	Circus 500 Pendant, 2 Rings Brass
CIR023BR	Circus 500 Pendant, 3 Rings Brass
CIR024BR	Circus 500 Pendant, 4 Rings Brass
CIR025BR	Circus 500 Pendant, 5 Rings Brass
CIR026BR	Circus 500 Pendant, 6 Rings Brass

LIGHT SOURCE
Integrated LED
VOLTAGE
24V
POWER USAGE
38.4W Per Ring
LUMENS
4608lm Per Ring
COLOUR TEMP
3000k
CRI
95
LIFESPAN
50,000 Hrs
CABLE
Min 30 cm (12 in) - Max 500 cm (196.9 in)
DIMMING
2-3 Rings is dimmable as standard with a 0-10V receiver. 5-6 Rings is not dimmable as standard. Alternate dimming options available on request.

FINISHES

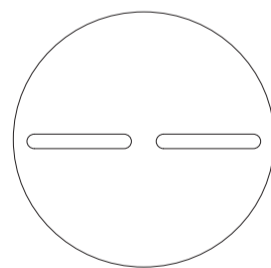
brass



PRODUCT WEIGHT

2 Rings: 6.7 kg (14.8 lbs)
6 Rings: 15.9 kg (35.1 lbs)

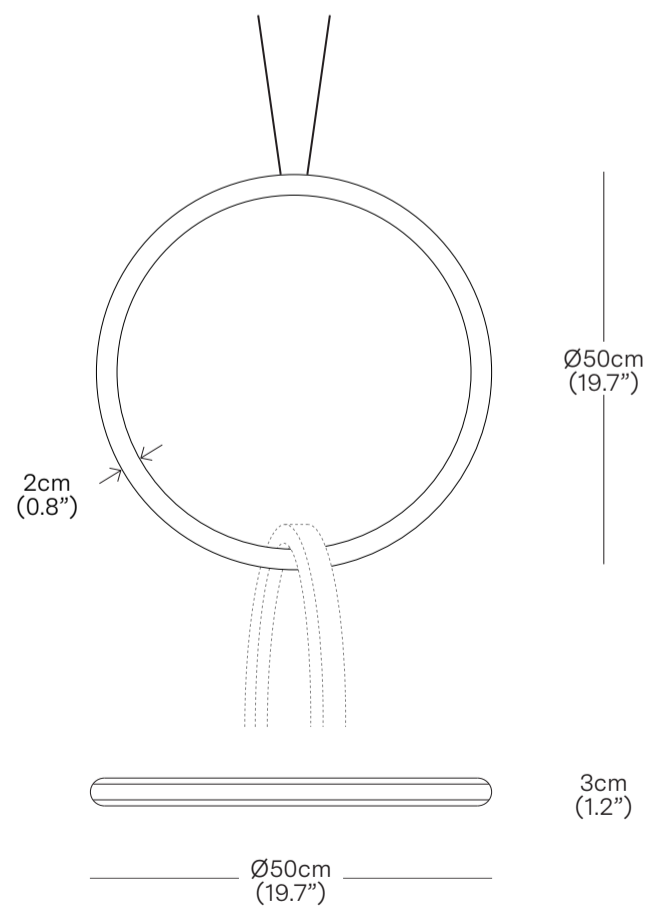
PACKAGED DIMENSIONS		
L x W x H	Cubage	Weight
2 Rings		
62 x 55 x 9.5 cm	0.03 m3	10 kg
24.4 x 21.7 x 3.7 in	1.1 ft3	22.1 lbs
6 Rings		
62 x 55 x 57 cm	0.19 m3	23.2 kg
24.4 x 21.7 x 22.4 in	6.7 ft3	51.2 lbs
COMMODITY CODE	9405423990	



Ø28.5cm
(11.2")

Ceiling Rose

5cm
(2")



* Components drawn in relative scale. Refer to CAD files for accurate drawings.