

# Circus 250 Pendant - Black



Resident Studio | 2021

Circus is a remarkable system of interconnected rings which can be arranged in sequence to create striking vertical decoration. Each brass ring projects an elegantly diffused warm LED light source outwards around a 360 degree plane.

A revolutionary plug and play system allows for power sharing between rings and a large range of variations to suit spaces of various shapes and sizes. Circus is a theatrical and truly flexible system ideal for both commercial and residential environments.

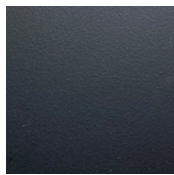
<b>MATERIALS</b>	Aluminium, Acrylic
<b>CEILING ROSE</b>	Matt Black Aluminium
<b>PRODUCT ENVIRONMENT</b>	Indoor Use Only
<b>CONTRACT USE</b>	Yes
<b>CERTIFICATION</b>	CE
<b>WARRANTY</b>	3 years
<b>COUNTRY OF ORIGIN</b>	New Zealand

<b>CODE</b>	<b>PRODUCT</b>
CIR012B	Circus 250 Pendant, 2 Rings Black
CIR013B	Circus 250 Pendant, 3 Rings Black
CIR014B	Circus 250 Pendant, 4 Rings Black
CIR015B	Circus 250 Pendant, 5 Rings Black
CIR016B	Circus 250 Pendant, 6 Rings Black
CIR017B	Circus 250 Pendant, 7 Rings Black
CIR018B	Circus 250 Pendant, 8 Rings Black
CIR019B	Circus 250 Pendant, 9 Rings Black
CIR020B	Circus 250 Pendant, 10 Rings Black
CIR021B	Circus 250 Pendant, 11 Rings Black

<b>LIGHT SOURCE</b>	Integrated LED
<b>VOLTAGE</b>	24V
<b>POWER USAGE</b>	19.2W Per Ring
<b>LUMENS</b>	2304lm Per Ring
<b>COLOUR TEMP</b>	3000k
<b>CRI</b>	95
<b>LIFESPAN</b>	50,000 Hrs
<b>CABLE</b>	Min 30 cm (12 in) - Max 500 cm (196.9in)
<b>DIMMING</b>	2-9 Rings is dimmable as standard with a 0-10V receiver. 10-11 Rings is not dimmable as standard. Alternate dimming options available on request.

## FINISHES

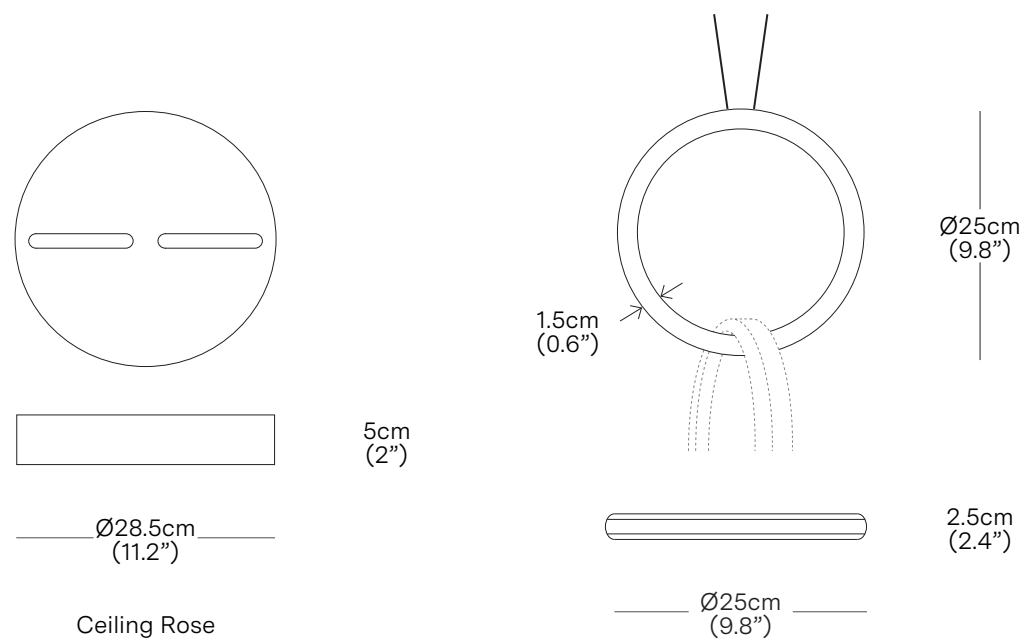
black



## PRODUCT WEIGHT

2 Rings: 3.5 kg (7.7 lbs)  
11 Rings: 9.3 kg (20.5 lbs)

<b>PACKAGED DIMENSIONS</b>		
<b>L x W x H</b>	<b>Cubage</b>	<b>Weight</b>
<b>2 Rings</b>		
62 x 55 x 19 cm	0.06 m3	5.6 kg
24.4 x 21.7 x 7.5 in	2.1 ft3	12.3 lbs
<b>11 Rings</b>		
62 x 55 x 108.5 cm	0.37 m3	14.9 kg
24.4 x 21.7 x 42.7 in	13.1 ft3	32.9 lbs
<b>COMMODITY CODE</b>	9405423990	



\* Components drawn in relative scale. Refer to CAD files for accurate drawings.

# Circus 250 Pendant - Brass



Resident Studio | 2018

Circus is a remarkable system of interconnected rings which can be arranged in sequence to create striking vertical decoration. Each brass ring projects an elegantly diffused warm LED light source outwards around a 360 degree plane.

A revolutionary plug and play system allows for power sharing between rings and a large range of variations to suit spaces of various shapes and sizes. Circus is a theatrical and truly flexible system ideal for both commercial and residential environments.

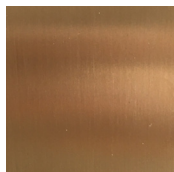
<b>MATERIALS</b>
Brass, Acrylic
<b>CEILING ROSE</b>
Matt Black Aluminium
<b>PRODUCT ENVIRONMENT</b>
Indoor Use Only
<b>CONTRACT USE</b>
Yes
<b>CERTIFICATION</b>
CE
<b>WARRANTY</b>
3 years
<b>COUNTRY OF ORIGIN</b>
New Zealand

<b>CODE</b>	<b>PRODUCT</b>
CIR012BR	Circus 250 Pendant, 2 Rings Brass
CIR013BR	Circus 250 Pendant, 3 Rings Brass
CIR014BR	Circus 250 Pendant, 4 Rings Brass
CIR015BR	Circus 250 Pendant, 5 Rings Brass
CIR016BR	Circus 250 Pendant, 6 Rings Brass
CIR017BR	Circus 250 Pendant, 7 Rings Brass
CIR018BR	Circus 250 Pendant, 8 Rings Brass
CIR019BR	Circus 250 Pendant, 9 Rings Brass
CIR020BR	Circus 250 Pendant, 10 Rings Brass
CIR021BR	Circus 250 Pendant, 11 Rings Brass

<b>LIGHT SOURCE</b>
Integrated LED
<b>VOLTAGE</b>
24V
<b>POWER USAGE</b>
19.2W Per Ring
<b>LUMENS</b>
2304lm Per Ring
<b>COLOUR TEMP</b>
3000k
<b>CRI</b>
95
<b>LIFESPAN</b>
50,000 Hrs
<b>CABLE</b>
Min 30 cm (12 in) - Max 500 cm (196.9in)
<b>DIMMING</b>
2-9 Rings is dimmable as standard with a 0-10V receiver. 10-11 Rings is not dimmable as standard. Alternate dimming options available on request.

## FINISHES

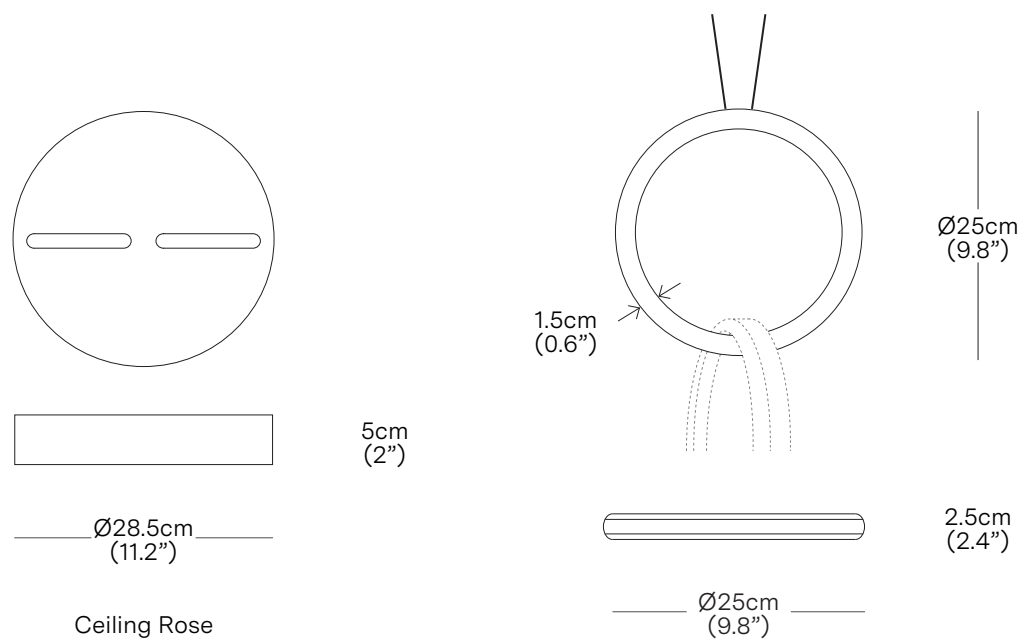
brass



## PRODUCT WEIGHT

2 Rings: 3.5 kg (7.7 lbs)  
11 Rings: 9.8 kg (21.6 lbs)

<b>PACKAGED DIMENSIONS</b>		
<b>L x W x H</b>	<b>Cubage</b>	<b>Weight</b>
<b>2 Rings</b>		
62 x 55 x 19 cm	0.06 m3	6.1 kg
24.4 x 21.7 x 7.5 in	2.1 ft3	13.5 lbs
<b>11 Rings</b>		
62 x 55 x 108.5 cm	0.37 m3	15.4 kg
24.4 x 21.7 x 42.7 in	13.1 ft3	34 lbs
<b>COMMODITY CODE</b>	9405423990	



\* Components drawn in relative scale. Refer to CAD files for accurate drawings.