

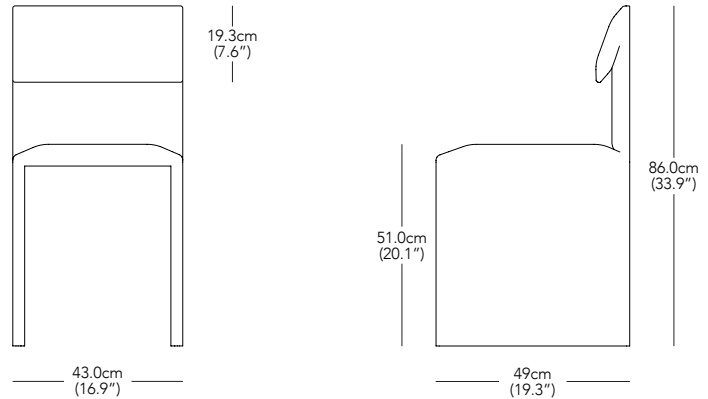
# Resident

## Sacha Chair

DESIGNER  
Philippe Malouin / 2022

PRODUCT DESCRIPTION  
Dining Chair

PRODUCT CODE  
SAC001 - Sacha Chair



\* Components drawn in relative scale. Refer to CAD files for accurate drawings.

MATERIALS  
Upholstered MDF, Foam and Steel

PRODUCT ENVIRONMENT  
Indoor Use Only

APPROPRIATE FOR HARD CONTRACT USE  
Yes

WARRANTY  
3 Years

PACKAGED DIMENSIONS  
1 Chair Per Box

W	D	H	
53	x	51	x 96cm
20.7	x	20.1	x 37.8"
			0.26 m <sup>3</sup>
			9.2 ft <sup>3</sup>

PACKAGED WEIGHT  
17 kg  
37.5 lbs

PRODUCT WEIGHT  
15 kg  
33.1 lbs

UPHOLSTERY OPTIONS  
Kvadrat - Hallingdal 65

PERFORMANCE  
100,000 Martindale

MATERIAL COMPOSITION  
70% New Wool, 30% Viscose

CUSTOMISATION  
Please email [sales@resident.co.nz](mailto:sales@resident.co.nz) for enquiries.

COUNTRY OF ORIGIN  
New Zealand