

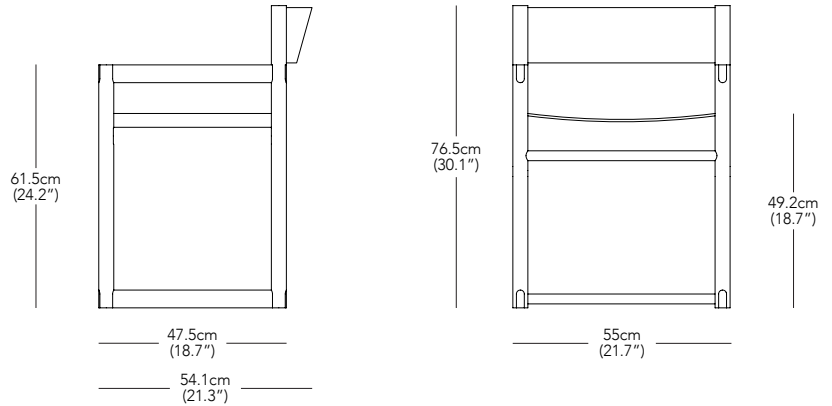
Resident

Passenger Chair

DESIGNER
Simon James / 2022

PRODUCT DESCRIPTION
Dining Chair

PRODUCT CODE
PAS001NM - Passenger Chair, Natural Mustang
PAS001NB - Passenger Chair, Natural Black
PAS001BM - Passenger Chair, Black Mustang
PAS001BB - Passenger Chair, Black Black



* Components drawn in relative scale. Refer to CAD files for accurate drawings.

MATERIALS
Solid Oak, Oak Veneer, Leather

COLOUR OPTIONS
Natural / Mustang
Natural / Black
Black / Mustang
Black / Black

PRODUCT ENVIRONMENT
Indoor Use Only

APPROPRIATE FOR HARD CONTRACT USE
Yes

CERTIFICATION
FSC Certified Wood

WARRANTY
3 Years

PACKAGED DIMENSIONS
1 Chair Per Box

W	D	H	
60 x	56 x	82cm	0.28 m ³
23.6 x	22.0 x	32.3"	9.7 ft ³

PACKAGED WEIGHT
8.5 kg
18.7 lbs

PRODUCT WEIGHT
6 kg
13.2 lbs

CUSTOMISATION
Please email sales@resident.co.nz for enquiries.

COUNTRY OF ORIGIN
Lithuania