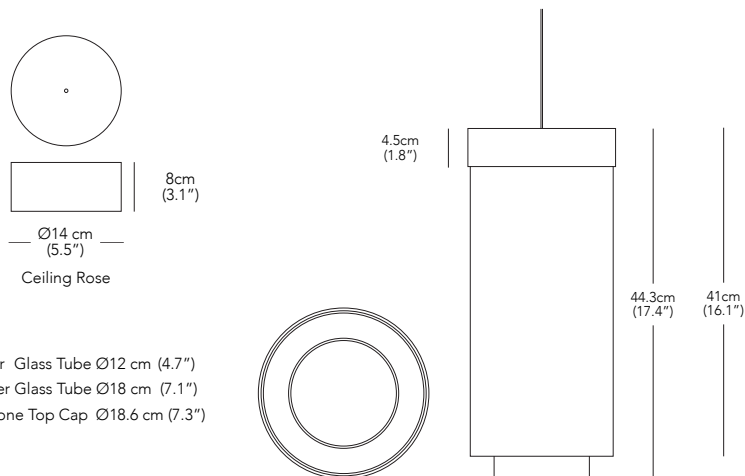


Resident

Ghost Pendant



DESIGNER
Resident Studio / 2022

PRODUCT DESCRIPTION
Pendant Light

PRODUCT CODE
GHO001 - Ghost Pendant

* Components drawn in relative scale. Refer to CAD files for accurate drawings.

MATERIALS
Borosilicate Glass, Aluminium, Silicone

COLOUR OPTIONS
Clear Glass, Matt Black Cap, Grey Flex Cable

PRODUCT ENVIRONMENT
Indoor Use Only

APPROPRIATE FOR HARD CONTRACT USE
Yes

CERTIFICATION
RCM, CE, ETL

WARRANTY
3 Years

PACKAGED DIMENSIONS
1 Box Per Light

W	D	H	Box
22 x 22 x 57cm			0.03m ³
8.7 x 8.7 x 22.4"			0.97ft ³

PACKAGED WEIGHT
8 kg
17.6 lbs

PRODUCT WEIGHT
6.5 kg
14.3 lbs

DIMMING
The Ghost Pendant is dimmable as standard and comes with an XLG constant current driver.

Dimmable driver replacing the standard driver:
DRI22 - 25W Dimmable Dali Driver

LIGHT SOURCE
Voltage - 24V
Power Usage - 25W
Lumens - 500lm
Colour Temperature - 3000K
CRI - 95
Average lifespan - 50,000 Hrs

CEILING ROSE
Black Aluminium

CABLE LENGTH
300cm (118.1")
3cm Ø braided 2 core flex with internal tensile wire

COUNTRY OF ORIGIN
Czech Republic