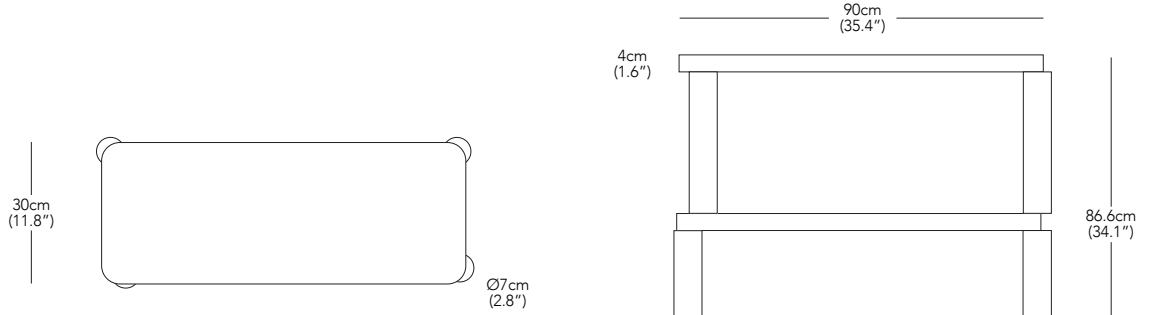


Resident

Offset Shelf Small 2-Tier



DESIGNER
Philippe Malouin / 2021

PRODUCT DESCRIPTION
Shelf Unit

PRODUCT CODE
OFS003N - Offset Shelf Small 2 Tier, Natural
OFS003U - Offset Shelf Small 2 Tier, Umber

* Components drawn in relative scale. Refer to CAD files for accurate drawings.

MATERIALS
Solid Oak

COLOUR OPTIONS
Natural Oak
Umber Stained Oak

PRODUCT ENVIRONMENT
Indoor Use Only

APPROPRIATE FOR HARD CONTRACT USE
Yes

WARRANTY
3 Years

PACKAGED DIMENSIONS
2 Boxes Per Shelf

W	D	H	Box 1 (Shelves)
106	40	21cm	0.09 m ³
41.7	15.7	8.3"	3.1 ft ³
W	D	H	Box 2 (Uprights)
48.5	40	25cm	0.05 m ³
19.1	15.7	9.8"	1.7 ft ³

PACKAGED WEIGHT	Combined
Box 1 (Shelves)	35 kg
26 kg	77.2 lbs
57.3 lbs	
Box 2 (Uprights)	
9 kg	
19.8 lbs	

PRODUCT WEIGHT	INTERNAL SHELF DIMENSIONS
33.1 kg	75 x 30 x 35cm
73.0 lbs	29.5 x 11.8 x 13.8"

CUSTOMISATION
Please email sales@resident.co.nz for enquiries.

COUNTRY OF ORIGIN
Lithuania