

Resident

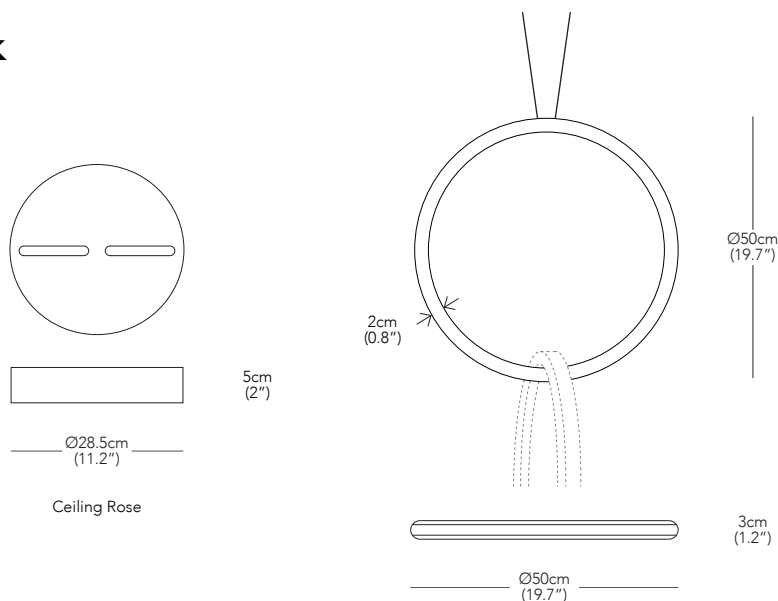
Circus 500 Pendant - Black

DESIGNER
Resident Studio / 2021

PRODUCT DESCRIPTION
Pendant Light

PRODUCT CODE

CIR022B - Circus 500 Pendant, Black, 2 Rings
CIR023B - Circus 500 Pendant, Black, 3 Rings
CIR024B - Circus 500 Pendant, Black, 4 Rings
CIR025B - Circus 500 Pendant, Black, 5 Rings
CIR026B - Circus 500 Pendant, Black, 6 Rings



* Components drawn in relative scale. Refer to CAD files for accurate drawings.

MATERIALS

Aluminium, Acrylic

COLOUR

Matt Black

PRODUCT ENVIRONMENT

Indoor Use Only

APPROPRIATE FOR HARD CONTRACT USE

Yes

CERTIFICATION

CE

WARRANTY

3 Years

PACKAGED DIMENSIONS

1-3 Boxes Per Light

Box A (Top & Bottom Ring, Assembly Kit)

Box B (Middle Ring - Max. 2 Rings Per Box)

W	D	H	
55	62	9.5cm	2 Rings
21.7	24.4	3.7"	0.03 m ³
55	62	57cm	6 Rings
21.7	24.4	22.4"	0.19 m ³
			6.71 ft ³

PACKAGED WEIGHT

2 Rings	6 Rings
8.1 kg	14.4 kg
17.9 lbs	31.8 lbs

PRODUCT WEIGHT

2 Rings	6 Rings
3.8 kg	7.1 kg
8.4 lbs	15.7 lbs

DIMMING

The Circus 500 Pendant is dimmable as standard with a 0-10V receiver. The dimming options below are an additional purchase.

Compatible with the standard driver:

DIM002 - Dimmer with Wall Switch

Dimmable drivers replacing the standard driver:

Universal Ac, Triac And Trailing Edge Dimming:

DRI17 - 240W Phasecut Dimmable Driver (EU) (≤6 Rings)

DRI18 - 240W Phasecut Dimmable Driver (US) (≤6 Rings)

Dali Systems:

DRI14 - 150W Dimmable Dali Driver (3 Rings)

LIGHT SOURCE

Voltage - 24V

Power Usage - 38.4W Per Ring

Lumens - 4608lm Per Ring

Colour Temperature - 3000K

CRI - 95

Average Lifespan - 50,000Hrs

CEILING ROSE

Matt Black Aluminium

CABLE LENGTH

Min 30cm (12") - Max 500cm (196.9")

COUNTRY OF ORIGIN

New Zealand

Resident

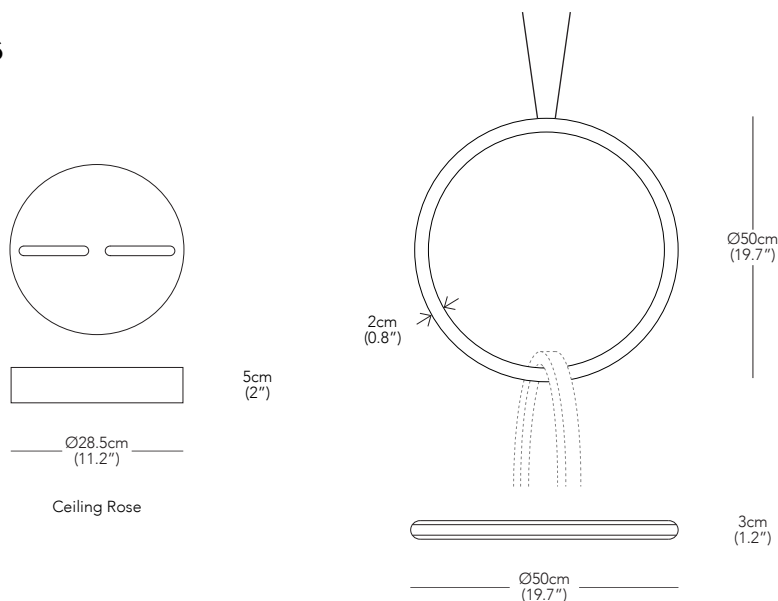
Circus 500 Pendant - Brass

DESIGNER
Resident Studio / 2017

PRODUCT DESCRIPTION
Pendant Light

PRODUCT CODE

CIR022BR - Circus 500 Pendant, Brass, 2 Rings
CIR023BR - Circus 500 Pendant, Brass, 3 Rings
CIR024BR - Circus 500 Pendant, Brass, 4 Rings
CIR025BR - Circus 500 Pendant, Brass, 5 Rings
CIR026BR - Circus 500 Pendant, Brass, 6 Rings



MATERIALS

Brass, Acrylic

COLOUR

Raw Brushed Brass

PRODUCT ENVIRONMENT

Indoor Use Only

APPROPRIATE FOR HARD CONTRACT USE

Yes

CERTIFICATION

CE

WARRANTY

3 Years

PACKAGED DIMENSIONS

1-3 Boxes Per Light

Box A (Top & Bottom Ring, Assembly Kit)

Box B (Middle Ring - Max. 2 Rings Per Box)

W	D	H	
55	62	9.5cm	2 Rings
21.7	24.4	3.7"	0.03 m ³
55	62	57cm	6 Rings
21.7	24.4	22.4"	0.19 m ³
			6.71 ft ³

PACKAGED WEIGHT

2 Rings	6 Rings
10.0 kg	23.2 kg
22.1 lbs	51.2 lbs

PRODUCT WEIGHT

2 Rings	6 Rings
6.7 kg	15.9 kg
14.8 lbs	35.1 lbs

DIMMING

The Circus 500 Pendant is dimmable as standard with a 0-10V receiver. The dimming options below are an additional purchase.

Compatible with the standard driver:

DIM002 - Dimmer with Wall Switch

Dimmable drivers replacing the standard driver:

Universal Ac, Triac And Trailing Edge Dimming:

DRI17 - 240W Phasecut Dimmable Driver (EU) (≤6 Rings)

DRI18 - 240W Phasecut Dimmable Driver (US) (≤6 Rings)

Dali Systems:

DRI14 - 150W Dimmable Dali Driver (3 Rings)

LIGHT SOURCE

Voltage - 24V

Power Usage - 38.4W Per Ring

Lumens - 4608lm Per Ring

Colour Temperature - 3000K

CRI - 95

Average Lifespan - 50,000Hrs

CEILING ROSE

Matt Black Aluminium

CABLE LENGTH

Min 30cm (12") - Max 500cm (196.9")

COUNTRY OF ORIGIN

New Zealand