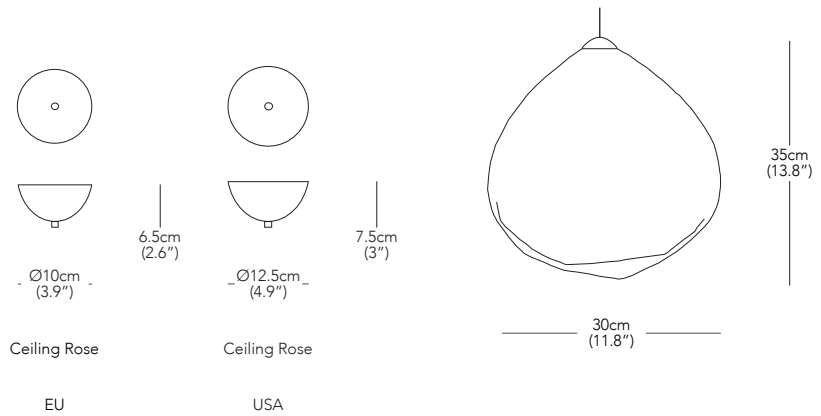


Resident

Parison Pendant



DESIGNER
Cheshire Architects / 2014

PRODUCT DESCRIPTION
Pendant Light

PRODUCT CODE
PAR001B - Parison Pendant, Black
PAR001W - Parison Pendant, White

* Components drawn in relative scale. Refer to CAD files for accurate drawings.

MATERIALS
Glass

COLOUR OPTIONS
Black To Clear Fade
White To Clear Fade

PRODUCT ENVIRONMENT
Indoor Use Only

APPROPRIATE FOR HARD CONTRACT USE
Yes

CERTIFICATION
CE, CUL, UL

WARRANTY
3 Years

PACKAGED DIMENSIONS
1 Box Per Light

| W | D | H | Box |
|--------|--------|-------|---------------------|
| 43 x | 44 x | 45cm | 0.09 m ³ |
| 16.9 x | 17.3 x | 17.7" | 3.0 ft ³ |

PACKAGED WEIGHT
5.6 kg
12.3 lbs

PRODUCT WEIGHT
3.6 kg
7.9 lbs

DIMMING
The Parison Pendant White is non-dimmable as standard.

The Parison Pendant Black comes with a dimmable bulb as standard.

| | LIGHT SOURCE (UK/EU Only) | |
|-------------|---------------------------|---------------|
| | White | Black |
| LED Bulb | E27 | E27 |
| Voltage | 220-240V | 220-240V |
| Power Usage | 5.5W (40 equiv) | 6W (40 equiv) |
| Lumens | 470lm | 470lm |
| Colour Temp | 2700K | 2700K |
| CRI | 80 | 80 |
| Lifespan | 15,000Hrs | 25,000Hrs |

(Light bulb not included for US versions)

CEILING ROSE
Matt Black Aluminium

CABLE LENGTH
Min 30cm (12") - Max 300cm (118.1")

COUNTRY OF ORIGIN
Czech Republic