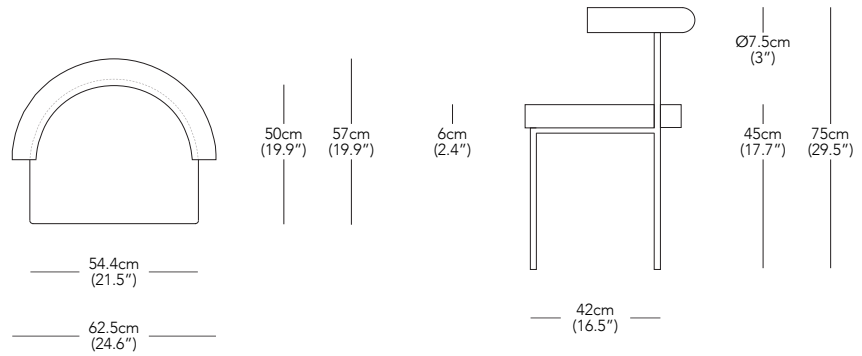


Resident

Kashmir Chair



DESIGNER
Simon James / 2019

PRODUCT DESCRIPTION
Upholstered Chair

PRODUCT CODE
KAS001 - Kashmir Chair

* Components drawn in relative scale. Refer to CAD files for accurate drawings.

MATERIALS
Multi Density Foam, Timber & Steel Frame

PACKAGED DIMENSIONS
1 Box Per Chair

PRODUCT ENVIRONMENT
Indoor Use Only

W	D	H	Box
64 x	59 x	80cm	0.30 m ³
25.2 x	23.2 x	31.5"	10.7 ft ³

APPROPRIATE FOR HARD CONTRACT USE
Yes

PACKAGED WEIGHT
14.8 kg
32.6 lbs

WARRANTY
3 Years

PRODUCT WEIGHT
11.9 kg
26.2 lbs

UPHOLSTERY OPTIONS
Maharam - Messenger
Maharam - Mode
Camira - Synergy
Camira - Mainline Flax
Kvadrat - Hallingdal 65
Sorensen - Shade

PERFORMANCE
100,000 Martindale
100,000 Martindale
100,000 Martindale
50,000 Martindale
100,000 Martindale
-

MATERIAL COMPOSITION
78% Recycled Polyester, 15% Polyester, 7% Nylon
80% Recycled Polyester, 20% Polyester
95% Virgin Wool, 5% Polyamide
70% Virgin Wool, 30% Flax
70% New Wool, 30% Viscose
100% Full Protected Aniline Leather

UPHOLSTERY USAGE
Fabric
1 m, 1.1 yd

Leather
1.7 m², 18.4 ft²

COUNTRY OF ORIGIN
Manufactured in sales territory - UK / USA / AUS / NZ