

Resident

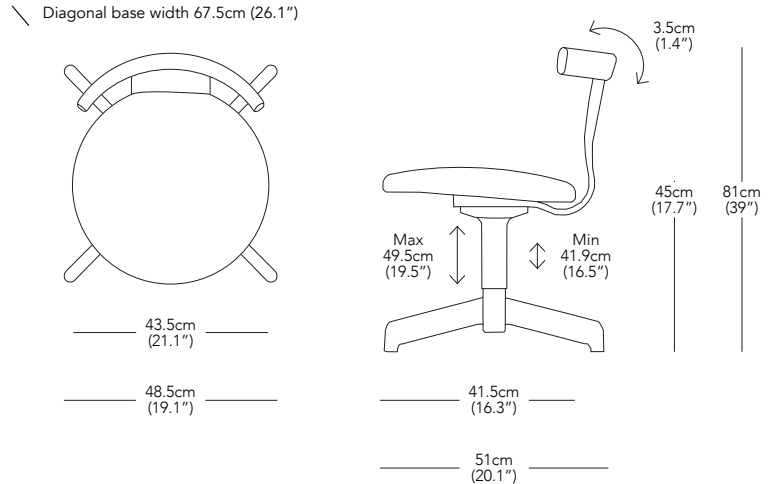
Jiro Swivel Chair

Upholstered

DESIGNER
John Tree / 2020

PRODUCT DESCRIPTION
Upholstered Work Chair

PRODUCT CODE
 JIR001BBU - Jiro Swivel Chair, Black, Black Base, Upholstered
 JIR001BWU - Jiro Swivel Chair, Black, White Base, Upholstered
 JIR001NBU - Jiro Swivel Chair, Natural, Black Base, Upholstered
 JIR001NWU - Jiro Swivel Chair, Natural, White Base, Upholstered



* Components drawn in relative scale. Refer to CAD files for accurate drawings.

MATERIALS
Oak Veneer, Cast Aluminium, Foam, Plastic

COLOUR OPTIONS
 Black Back, Upholstered Seat With Black Stem & Base
 Black Back, Upholstered Seat With White Stem & Base
 Natural Back, Upholstered Seat With Black Stem & Base
 Natural Back, Upholstered Seat With White Stem & Base

PRODUCT ENVIRONMENT
Indoor Use Only

APPROPRIATE FOR HARD CONTRACT USE
Yes

CERTIFICATION
F.S.C Certified Wood

WARRANTY
5 Years

PACKAGED DIMENSIONS
1 Box Per Chair

W	D	H	Box
53	53	80	0.22 m ³
20.9	20.9	31.5	10.67 ft ³

PACKAGED WEIGHT
 9.5 kg
 20.9 lbs

PRODUCT WEIGHT
 7.5 kg
 16.5 lbs

UPHOLSTERY OPTIONS
 Maharam - Mode
 Camira - Synergy
 Camira - Mainline Flax
 Kvadrat - Hallingdal 65
 Sorensen - Shade

PERFORMANCE
 100,000 Martindale
 100,000 Martindale
 50,000 Martindale
 100,000 Martindale
 -

MATERIAL COMPOSITION
 80% Recycled Polyester, 20% Polyester
 95% Virgin Wool, 5% Polyamide
 70% Virgin Wool, 30% Flax
 70% New Wool, 30% Viscose
 100% Full Protected Aniline Leather

UPHOLSTERY USAGE
 Fabric
 0.6 m, 0.7 yd

Leather
 1 m², 11 ft²

COUNTRY OF ORIGIN
Hungary

Resident

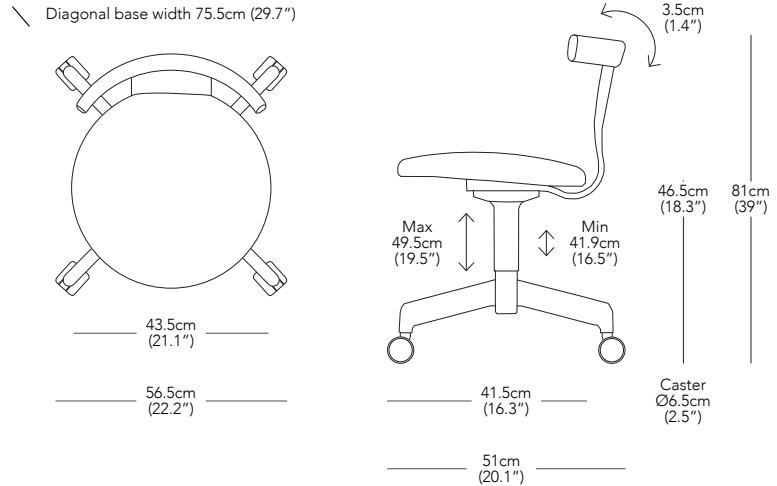
Jiro Swivel Chair

Upholstered With Casters

DESIGNER
John Tree / 2020

PRODUCT DESCRIPTION
Upholstered Work Chair

PRODUCT CODE
 JIR001BBCU - Jiro Swivel Chair, Black, Black Base, Upholstered
 JIR001BWCU - Jiro Swivel Chair, Black, White Base, Upholstered
 JIR001NBCU - Jiro Swivel Chair, Natural, Black Base, Upholstered
 JIR001NWCU - Jiro Swivel Chair, Natural, White Base, Upholstered



* Components drawn in relative scale. Refer to CAD files for accurate drawings.

MATERIALS
Oak Veneer, Cast Aluminium, Foam, Plastic

COLOUR OPTIONS
 Black Back, Upholstered Seat With Black Stem & Base
 Black Back, Upholstered Seat With White Stem & Base
 Natural Back, Upholstered Seat With Black Stem & Base
 Natural Back, Upholstered Seat With White Stem & Base

PRODUCT ENVIRONMENT
Indoor Use Only

APPROPRIATE FOR HARD CONTRACT USE
Yes

CERTIFICATION
F.S.C Certified Wood

WARRANTY
5 Years

PACKAGED DIMENSIONS
1 Box Per Chair

W	D	H	Box
53	53	80	0.22 m ³
20.9	20.9	31.5	7.94 ft ³

PACKAGED WEIGHT
10.1 kg
22.3 lbs

PRODUCT WEIGHT
8.1 kg
17.9 lbs

UPHOLSTERY OPTIONS
 Maharam - Mode
 Camira - Synergy
 Camira - Mainline Flax
 Kvadrat - Hallingdal 65
 Sorensen - Shade

PERFORMANCE
 100,000 Martindale
 100,000 Martindale
 50,000 Martindale
 100,000 Martindale
 -

MATERIAL COMPOSITION
 80% Recycled Polyester, 20% Polyester
 95% Virgin Wool, 5% Polyamide
 70% Virgin Wool, 30% Flax
 70% New Wool, 30% Viscose
 100% Full Protected Aniline Leather

UPHOLSTERY USAGE
Fabric
0.6 m, 0.7 yd

Leather
1 m², 11 ft²

COUNTRY OF ORIGIN
Hungary