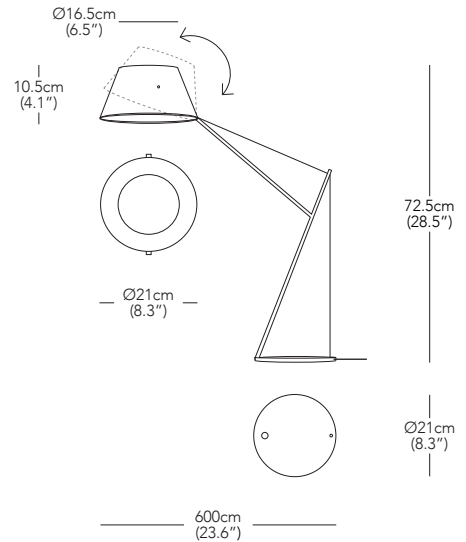


Resident

Spar Junior



DESIGNER
Jamie McLellan / 2012

PRODUCT DESCRIPTION
Table Light

PRODUCT CODE
SPJ02B - Spar Junior

* Components drawn in relative scale. Refer to CAD files for accurate drawings.

MATERIALS
Aluminium, Steel

COLOUR
Black With Red Cable

PRODUCT ENVIRONMENT
Indoor Use Only

APPROPRIATE FOR HARD CONTRACT USE
Yes

CERTIFICATION
CE

WARRANTY
3 Years

PACKAGED DIMENSIONS
1 Box Per Light

| W | D | H | Box |
|--------|--------|------|----------------------|
| 63 x | 76 x | 25cm | 0.12 m ³ |
| 24.8 x | 29.9 x | 9.8" | 10.7 ft ³ |

PACKAGED WEIGHT
7.0 kg
15.4 lbs

PRODUCT WEIGHT
6.0 kg
13.2 lbs

DIMMING
The Spar Junior is non-dimmable and comes with a prewired in line on/off switch.

| | LIGHT SOURCE | |
|-------------|----------------|----------------|
| | UK/EU | US |
| LED Bulb | E27 | E26 |
| Voltage | 220-240V | 120V |
| Power Usage | 6W (40W equiv) | 6W (60W equiv) |
| Lumens | 470lm | 750lm |
| Colour Temp | 2800K | 2700K |
| CRI | 80 | 80 |
| Lifespan | 25,000Hrs | 20,000Hrs |

CABLE LENGTH
150cm (59.1")

COUNTRY OF ORIGIN
China