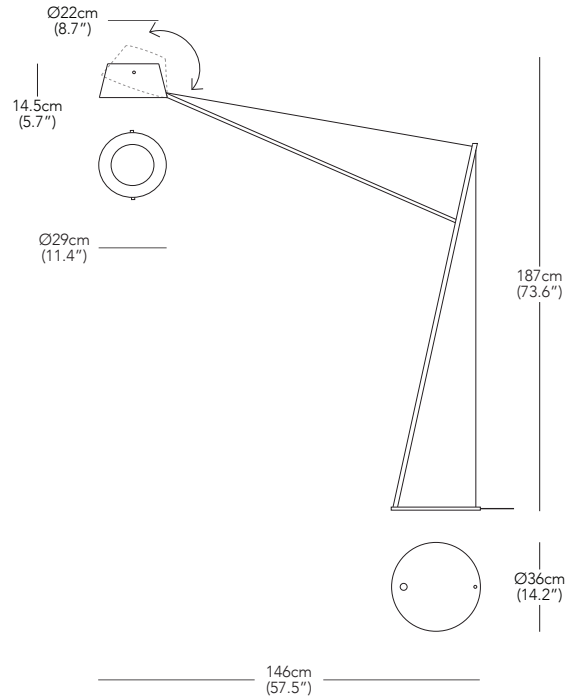


Resident

Spar Floor Light



DESIGNER
Jamie McLellan / 2011

PRODUCT DESCRIPTION
Floor Light

PRODUCT CODE
SPF001B - Spar Floor Light

* Components drawn in relative scale. Refer to CAD files for accurate drawings.

MATERIALS
Aluminium, Steel

COLOUR OPTIONS
Black With Red Cable (Standard)
Black With Black Cable

PRODUCT ENVIRONMENT
Indoor Use Only

APPROPRIATE FOR HARD CONTRACT USE
Yes

CERTIFICATION
CE, RCM

WARRANTY
3 Years

PACKAGED DIMENSIONS
2 Boxes Per Light

W	D	H	Box 1 (Base & Shade)
23	45	44	0.05 m ³
9.1	17.7	17.3	1.77 ft ³
W	D	H	Box 2 (Floor Arms)
10	154	4.5	0.01 m ³
3.9	60.6	1.77	0.35 ft ³

PACKAGED WEIGHT	Combined
Box 1 (Base & Shade)	14.1 kg
10.2 kg	31.1 lbs
22.5 lbs	
Box 2 (Floor Arms)	
3.9 kg	
8.6 lbs	

PRODUCT WEIGHT
12.2 kg
26.9 lbs

DIMMING
The Spar Floor Light is non-dimmable and comes with a prewired in line on/off switch.

LIGHT SOURCE	UK/EU	US
LED Bulb	E27	E26
Voltage	220-240V	120V
Power Usage	5W (40W equiv)	6W (60W equiv)
Lumens	470lm	750lm
Colour Temp	2800K	2700K
CRI	80	80
Lifespan	25,000Hrs	20,000Hrs

CABLE LENGTH
155cm (61")

COUNTRY OF ORIGIN
China