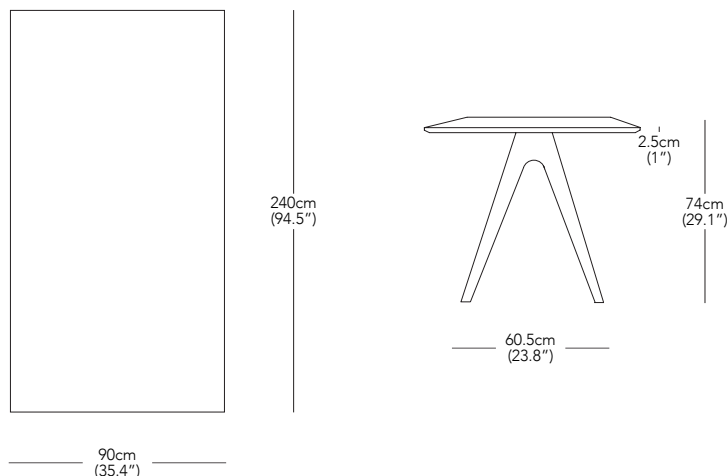


Resident Scholar Table



DESIGNER
Cameron Foggo / 2014

PRODUCT DESCRIPTION
Dining Table

PRODUCT CODE
SCH001 - Scholar Table

* Components drawn in relative scale. Refer to CAD files for accurate drawings.

MATERIALS

Oak Veneer, Solid Birch

COLOUR

Natural Oak With Black Stained Birch Legs

PRODUCT ENVIRONMENT

Indoor Use Only

APPROPRIATE FOR HARD CONTRACT USE

Yes

WARRANTY

3 Years

PACKAGED DIMENSIONS

1 Box Per Table

W D H

102 x 254 x 18cm

40.2 x 100 x 7.1"

Box

0.47 m³

16.47 ft³

PACKAGED WEIGHT

75.0 kg

165.4 lbs

PRODUCT WEIGHT

65.0 kg

143.3 lbs

CUSTOMISATION

Custom size available on request.

COUNTRY OF ORIGIN

Lithuania

Please email sales@resident.co.nz for enquiries.