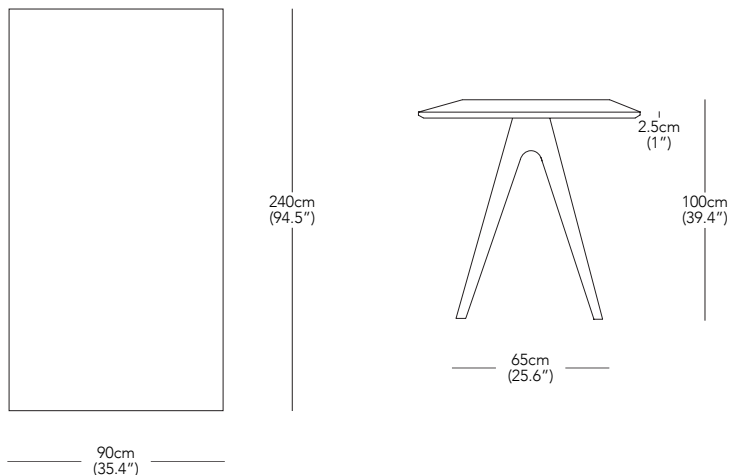


# Resident

## Scholar Bar Leaner



DESIGNER  
Cameron Foggo / 2014

PRODUCT DESCRIPTION  
Bar Leaner

PRODUCT CODE  
SCH002 - Scholar Bar Leaner

\* Components drawn in relative scale. Refer to CAD files for accurate drawings.

### MATERIALS

Oak Veneer, Solid Birch

### PACKAGED DIMENSIONS

1 Box Per Leaner

### COLOUR

Natural Oak With Black Stained Birch Legs

### W D H

102 x 254 x 18cm

40.2 x 100 x 7.1"

### Box

0.47 m<sup>3</sup>

16.47 ft<sup>3</sup>

### PRODUCT ENVIRONMENT

Indoor Use Only

### PACKAGED WEIGHT

95.0 kg

209.5 lbs

### APPROPRIATE FOR HARD CONTRACT USE

Yes

### PRODUCT WEIGHT

85.0 kg

187.4 lbs

### WARRANTY

3 Years

### CUSTOMISATION

Please email [sales@resident.co.nz](mailto:sales@resident.co.nz) for enquiries.

### COUNTRY OF ORIGIN

Lithuania