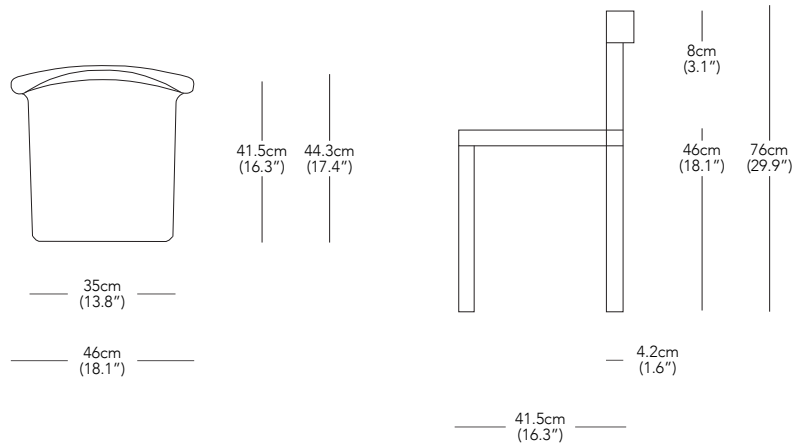


Resident

Pier Chair



DESIGNER
Leonard Kadid / 2020

PRODUCT DESCRIPTION
Dining Chair

PRODUCT CODE
PIE001N - Pier Chair Natural
PIE001B - Pier Chair Black

* Components drawn in relative scale. Refer to CAD files for accurate drawings.

MATERIALS
Solid Oak

COLOUR OPTIONS
Natural Oak
Black Stained Oak

PRODUCT ENVIRONMENT
Indoor Use Only

APPROPRIATE FOR HARD CONTRACT USE
Yes

CERTIFICATION
F.S.C Certified Wood

WARRANTY
3 Years

PACKAGED DIMENSIONS
2 Chairs Per Box

W	D	H	Box
49 x	54 x	95cm	0.25 m ³
19.3 x	21.3 x	37.4"	8.9 ft ³

PACKAGED WEIGHT
19.5 kg - 2 Per Box
43.0 lbs - 2 Per Box

PRODUCT WEIGHT
8.2 kg - Per Chair
18.1 lbs - Per Chair

CUSTOMISATION
Please email sales@resident.co.nz for enquiries.

COUNTRY OF ORIGIN
Lithuania