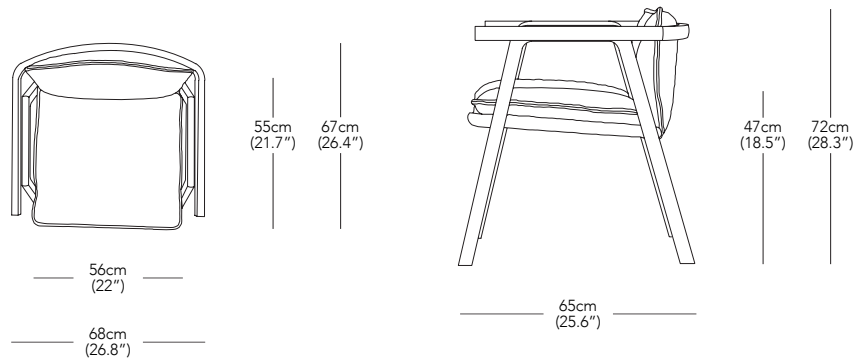


# Resident

## Pick Up Sticks Chair



DESIGNER  
Simon James / 2014

PRODUCT DESCRIPTION  
Upholstered Chair

PRODUCT CODE  
PUS001N - Pick Up Sticks Chair Natural  
PUS001B - Pick Up Sticks Chair Black

\* Components drawn in relative scale. Refer to CAD files for accurate drawings.

MATERIALS  
Multi Density Foam, Solid Oak Frame

COLOUR OPTIONS  
Natural Oak  
Black Stained Oak

PRODUCT ENVIRONMENT  
Indoor Use Only

APPROPRIATE FOR HARD CONTRACT USE  
Yes

CERTIFICATION  
F.S.C Certified Wood

WARRANTY  
3 Years

PACKAGED DIMENSIONS  
1 Box Per Chair

W	D	H	Box
76	73	76	0.42 m <sup>3</sup>
29.9	28.7	29.9	14.9 ft <sup>3</sup>

PACKAGED WEIGHT  
14.1 kg  
31.1 lbs

PRODUCT WEIGHT  
11.9 kg  
26.2 lbs

UPHOLSTERY OPTIONS  
Maharam - Messenger  
Maharam - Mode  
Camira - Synergy  
Camira - Mainline Flax  
Kvadrat - Hallingdal 65  
Sorensen - Shade  
Sorensen - Royal Nubuck

PERFORMANCE  
100,000 Martindale  
100,000 Martindale  
100,000 Martindale  
50,000 Martindale  
100,000 Martindale  
-  
-

MATERIAL COMPOSITION  
78% Recycled Polyester, 15% Polyester, 7% Nylon  
80% Recycled Polyester, 20% Polyester  
95% Virgin Wool, 5% Polyamide  
70% Virgin Wool, 30% Flax  
70% New Wool, 30% Viscose  
100% Full Protected Aniline Leather  
100% Nubuck Aniline Leather

UPHOLSTERY USAGE  
Fabric  
1.5 m, 1.6 yd

Leather  
2.6 m<sup>2</sup>, 27.5 ft<sup>2</sup>

COUNTRY OF ORIGIN  
Manufactured in sales territory - UK / USA / AUS / NZ