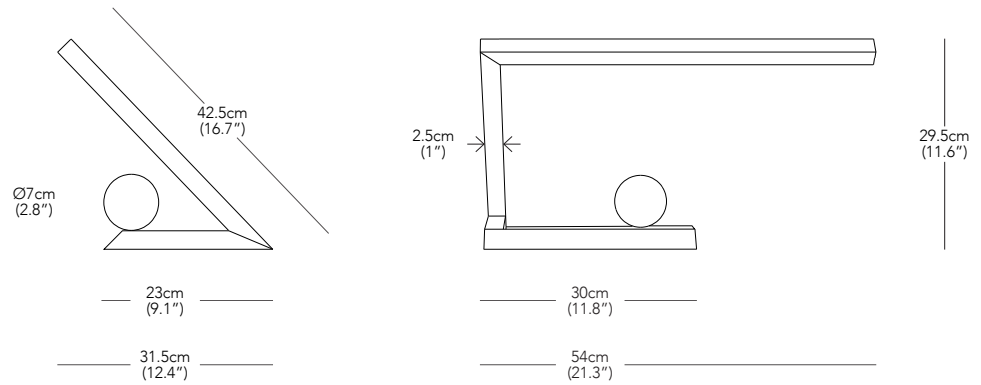


# Resident

## Oud Lamp



DESIGNER  
Cheshire Architects / 2012

PRODUCT DESCRIPTION  
Table Light

PRODUCT CODE  
 OUD001B - Oud Table Light, Black  
 OUD001BR - Oud Table Light, Brass

\* Components drawn in relative scale. Refer to CAD files for accurate drawings.

MATERIALS  
Brass or Stainless Steel, Marble

COLOUR OPTIONS  
 Matt Black With Honey Onyx Marble  
 Brass With Rossa Levanto Marble

PRODUCT ENVIRONMENT  
Indoor Use Only

APPROPRIATE FOR HARD CONTRACT USE  
Yes

CERTIFICATION  
CE

WARRANTY  
3 Years

PACKAGED DIMENSIONS  
1 Box Per Light

W	D	H	Box
70 x	70 x	30cm	0.15 m <sup>3</sup>
27.6 x	27.6 x	11.8"	5.2 ft <sup>3</sup>

PACKAGED WEIGHT	Stainless Steel
Brass	4.6 kg
4.8 kg	10.1 lbs

PRODUCT WEIGHT	Stainless Steel
Brass	2.6 kg
2.8 kg	5.7 lbs
6.2 lbs	

DIMMING  
The Oud Lamp is non-dimmable as standard and has an intergrated on/off swich activated by turning the marble ball.

LIGHT SOURCE  
 Voltage - 24V  
 Power Usage - 5W  
 Lumens - 280lm  
 Colour Temperature - 2800K  
 CRI - 90  
 Average Lifespan - 50,000Hrs

CABLE LENGTH  
187cm (73.6")

COUNTRY OF ORIGIN  
New Zealand