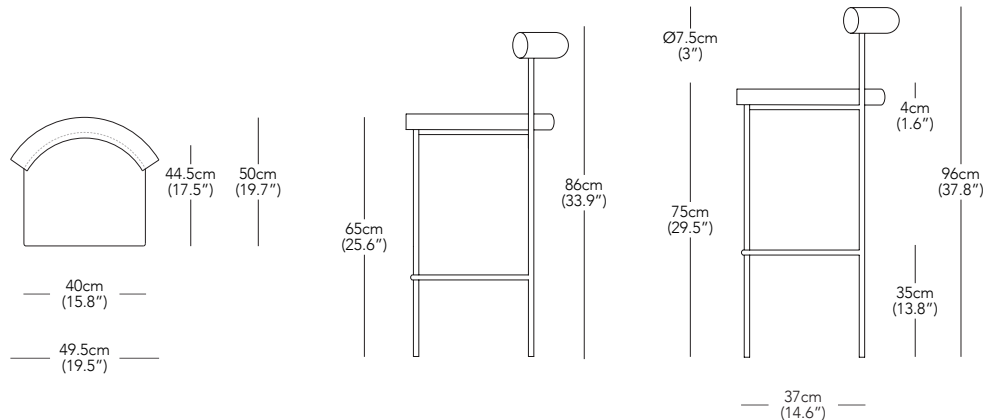


# Resident

## Kashmir Stool



DESIGNER  
Simon James / 2019

PRODUCT DESCRIPTION  
Upholstered Stool

PRODUCT CODE  
KAS002 - Kashmir Stool Counter Height  
KAS003 - Kashmir Stool Bar Height

\* Components drawn in relative scale. Refer to CAD files for accurate drawings.

### MATERIALS

Multi Density Foam, Timber & Steel Frame

### PRODUCT ENVIRONMENT

Indoor Use Only

### APPROPRIATE FOR HARD CONTRACT USE

Yes

### WARRANTY

3 Years

### PACKAGED DIMENSIONS

1 Box Per Chair

W	D	H	
54	55	100cm	Counter
21.3	21.7	39.4"	0.29 m <sup>3</sup>
			10.1 ft <sup>3</sup>
W	D	H	
54	55	110cm	Bar
21.3	21.7	43.3"	0.31 m <sup>3</sup>
			11.1 ft <sup>3</sup>

### PACKAGED WEIGHT

Counter	Bar
13.0 kg	15.6 kg
28.7 lbs	34.4 lbs

### PRODUCT WEIGHT

Counter	Bar
10.1 kg	12.7 kg
22.3 lbs	28.0 lbs

### UPHOLSTERY OPTIONS

Maharam - Messenger  
Maharam - Mode  
Camira - Synergy  
Camira - Mainline Flax  
Kvadrat - Hallingdal 65  
Sorensen - Shade

### PERFORMANCE

100,000 Martindale  
100,000 Martindale  
100,000 Martindale  
50,000 Martindale  
100,000 Martindale  
-

### MATERIAL COMPOSITION

78% Recycled Polyester, 15% Polyester, 7% Nylon  
80% Recycled Polyester, 20% Polyester  
95% Virgin Wool, 5% Polyamide  
70% Virgin Wool, 30% Flax  
70% New Wool, 30% Viscose  
100% Full Protected Aniline Leather

### UPHOLSTERY USAGE

Fabric  
1 m, 1.1 yd

Leather  
1.7 m<sup>2</sup>, 18.4 ft<sup>2</sup>

### COUNTRY OF ORIGIN

Manufactured in sales territory - UK / USA / AUS / NZ