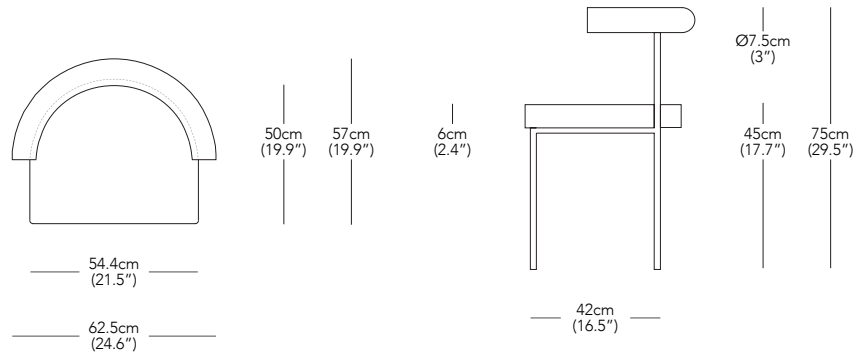


# Resident

## Kashmir Chair



DESIGNER  
Simon James / 2019

PRODUCT DESCRIPTION  
Upholstered Chair

PRODUCT CODE  
KAS001 - Kashmir Chair

\* Components drawn in relative scale. Refer to CAD files for accurate drawings.

MATERIALS  
Multi Density Foam, Timber & Steel Frame

PACKAGED DIMENSIONS  
1 Box Per Chair

PRODUCT ENVIRONMENT  
Indoor Use Only

W	D	H	Box
64 x	59 x	80cm	0.30 m <sup>3</sup>
25.2 x	23.2 x	31.5"	10.7 ft <sup>3</sup>

APPROPRIATE FOR HARD CONTRACT USE  
Yes

PACKAGED WEIGHT  
14.8 kg  
32.6 lbs

WARRANTY  
3 Years

PRODUCT WEIGHT  
11.9 kg  
26.2 lbs

UPHOLSTERY OPTIONS  
Maharam - Messenger  
Maharam - Mode  
Camira - Synergy  
Camira - Mainline Flax  
Kvadrat - Hallingdal 65  
Sorensen - Shade

PERFORMANCE  
100,000 Martindale  
100,000 Martindale  
100,000 Martindale  
50,000 Martindale  
100,000 Martindale  
-

MATERIAL COMPOSITION  
78% Recycled Polyester, 15% Polyester, 7% Nylon  
80% Recycled Polyester, 20% Polyester  
95% Virgin Wool, 5% Polyamide  
70% Virgin Wool, 30% Flax  
70% New Wool, 30% Viscose  
100% Full Protected Aniline Leather

UPHOLSTERY USAGE  
Fabric  
1 m, 1.1 yd

Leather  
1.7 m<sup>2</sup>, 18.4 ft<sup>2</sup>

COUNTRY OF ORIGIN  
Manufactured in sales territory - UK / USA / AUS / NZ