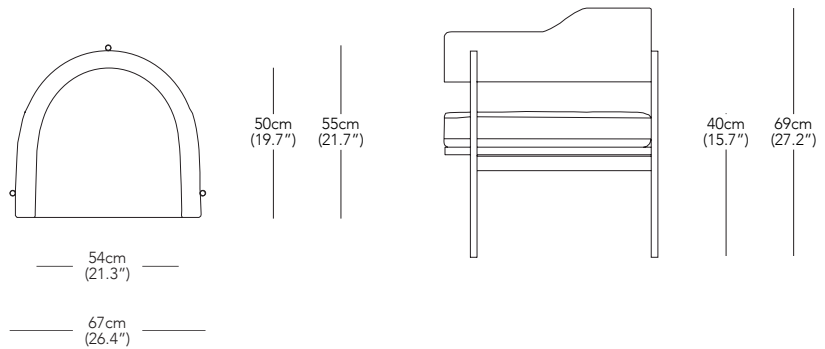


Resident

Isabella Chair



DESIGNER
Simon James / 2018

PRODUCT DESCRIPTION
Upholstered Chair

PRODUCT CODE
ISA001 - Isabella Chair

* Components drawn in relative scale. Refer to CAD files for accurate drawings.

MATERIALS
Multi Density Foam, Solid Oak Frame

PACKAGED DIMENSIONS
1 Box Per Chair

PRODUCT ENVIRONMENT
Indoor Use Only

W	D	H	Box
76	65	78	0.39 m ³
25.6	22.9	30.7	13.8 ft ³

APPROPRIATE FOR HARD CONTRACT USE
Yes

PACKAGED WEIGHT
19.0 kg
41.9 lbs

WARRANTY
3 Years

PRODUCT WEIGHT
14.0 kg
30.9 lbs

UPHOLSTERY OPTIONS
Maharam - Messenger
Maharam - Mode
Maharam - Mohair Supreme
Camira - Synergy
Camira - Mainline Flax
Kvadrat - Hallingdal 65
Sorensen - Shade
Sorensen - Royal Nubuck

PERFORMANCE
100,000 Martindale
100,000 Martindale
70,000 Martindale
100,000 Martindale
50,000 Martindale
100,000 Martindale

MATERIAL COMPOSITION
78% Recycled Polyester, 15% Polyester, 7% Nylon
80% Recycled Polyester, 20% Polyester
100% Mohair
95% Virgin Wool, 5% Polyamide
70% Virgin Wool, 30% Flax
70% New Wool, 30% Viscose
100% Full Protected Aniline Leather
100% Nubuck Aniline Leather

UPHOLSTERY USAGE
Fabric
2.5 m, 2.7 yd

Leather
4.3 m², 45.9 ft²

COUNTRY OF ORIGIN
Manufactured in sales territory - UK / USA / AUS / NZ