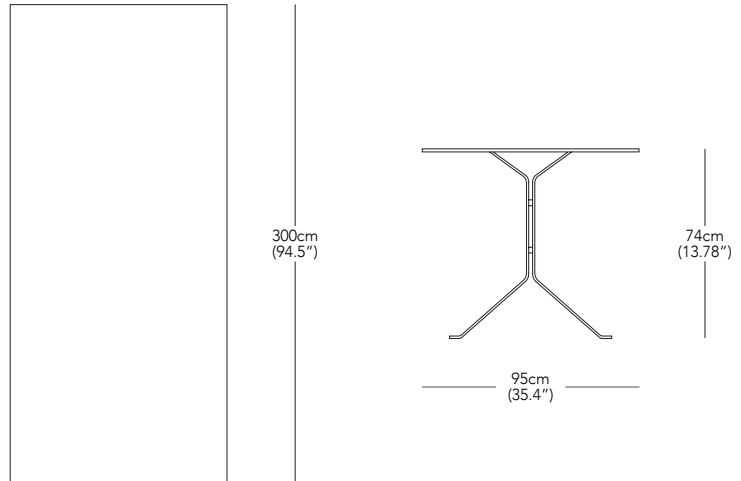


Resident

Interstellar Dining Table



DESIGNER
Resident Studio / 2016

PRODUCT DESCRIPTION
Dining Table

PRODUCT CODE
INS001B - Interstellar Table Black With Black Legs
INS001S - Interstellar Table Black With Stainless Steel Legs

* Components drawn in relative scale. Refer to CAD files for accurate drawings.

MATERIALS
Carbon Fibre, Stainless Steel

COLOUR OPTIONS
Black Top With Black Legs
Black Top With Brushed Stainless Steel Legs

PRODUCT ENVIRONMENT
Indoor Use Only

APPROPRIATE FOR HARD CONTRACT USE
Yes

WARRANTY
3 Years

PACKAGED DIMENSIONS
2 Boxes Per Table

W	D	H	Box 1 (Legs)
86	90	20cm	0.15 m ³
33.9	35.4	7.9"	5.47 ft ³
W	D	H	Box 2 (Top)
100	310	20cm	0.62 m ³
39.4	122	7.9"	21.90 ft ³

PACKAGED WEIGHT		Combined
Box 1 (Legs)	20.0 kg	100.0 kg
	44.1 lbs	220.5 lbs
Box 2 (Top)	80.0 kg	
	176.4 lbs	

PRODUCT WEIGHT
30.0 kg
66.2 lbs

CUSTOMISATION
Please email sales@resident.co.nz for enquiries.

COUNTRY OF ORIGIN
New Zealand