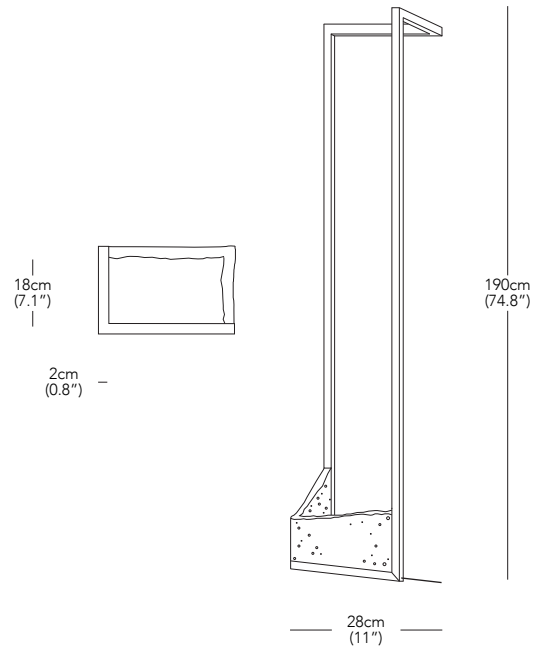


# Resident

## Foundry Floor Light



DESIGNER  
Cheshire Architects / 2014

PRODUCT DESCRIPTION  
Floor Light

PRODUCT CODE  
FOU001 - Foundry Floor Light

\* Components drawn in relative scale. Refer to CAD files for accurate drawings.

MATERIALS  
Bronze, Aluminium, Acrylic

COLOUR  
Cast Bronze Base With Matt Black Frame

PRODUCT ENVIRONMENT  
Indoor Use Only

APPROPRIATE FOR HARD CONTRACT USE  
Yes

CERTIFICATION  
CE

WARRANTY  
3 Years

PACKAGED DIMENSIONS  
1 Box Per Light

W	D	H	Box				
45.5	x	227.5	x	41.5	cm	0.43	m <sup>3</sup>
17.9	x	89.6	x	16.3	"	15.2	ft <sup>3</sup>

PACKAGED WEIGHT  
15.1 kg  
5.9 lbs

PRODUCT WEIGHT  
12.0 kg  
26.5 lbs

DIMMING  
The Foundry Floor Light is non-dimmable as standard and comes with a 12W 24V (non-dimmable) Driver.

LIGHT SOURCE  
Voltage - 24V  
Power Usage - 10W  
Lumens - 668lm  
Colour Temperature - 2800K  
Average Lifespan - 50,000Hrs

CABLE LENGTH  
250cm (98.4")

COUNTRY OF ORIGIN  
New Zealand