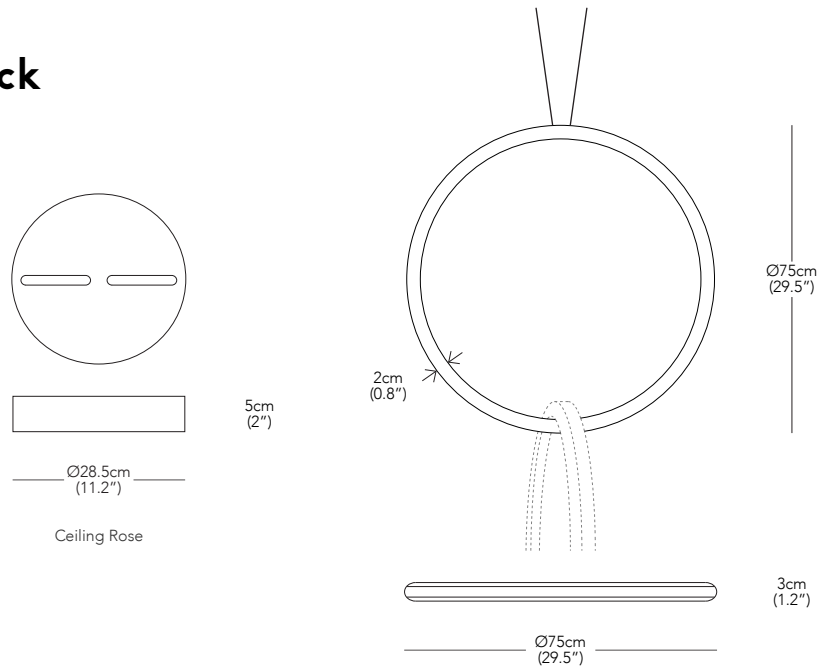


# Resident

## Circus 750 Pendant - Black



DESIGNER  
Resident Studio / 2021

PRODUCT DESCRIPTION  
Pendant Light

PRODUCT CODE  
CIR032B - Circus 750 Pendant, Black, 2 Rings  
CIR033B - Circus 750 Pendant, Black, 3 Rings  
CIR034B - Circus 750 Pendant, Black, 4 Rings

\* Components drawn in relative scale. Refer to CAD files for accurate drawings.

MATERIALS  
Aluminium, Acrylic

COLOUR  
Matt Black

PRODUCT ENVIRONMENT  
Indoor Use Only

APPROPRIATE FOR HARD CONTRACT USE  
Yes

CERTIFICATION  
CE

WARRANTY  
3 Years

PACKAGED DIMENSIONS  
1-3 Boxes Per Light  
Box A (Top & Bottom Ring, Assembly Kit)  
Box B (Middle Ring - 1 Ring Per Box)

W	D	H	
87	97	10cm	2 Rings
34.3	38.2	3.9"	0.08 m <sup>3</sup>
87	97	30cm	4 Rings
34.3	38.2	11.8"	0.25 m <sup>3</sup>
			8.83 ft <sup>3</sup>

PACKAGED WEIGHT	
2 Rings	4 Rings
8.9 kg	17.1 kg
19.6 lbs	37.7 lbs

PRODUCT WEIGHT	
2 Rings	4 Rings
4.7 kg	7.3 kg
10.4 lbs	16.1 lbs

DIMMING  
The Circus 750 Pendant is dimmable as standard and comes with a Phase Cut Dimmable Driver. The dimming options below are an additional purchase.

Compatible with the standard driver:  
DIM002 - Dimmer with Wall Switch

Dimmable drivers replacing the standard driver:  
DC Dimming:  
DRI08 - 120W 0-10V Dimmable Driver (2 Rings)  
Dali Systems:  
DRI14 - 150W Dimmable Dali Driver (2 Rings)  
Universal Ac, Triac And Trailing Edge Dimming:  
DRI17 - 240W Phasecut Dimmable Driver (EU) (≤4 Rings)  
DRI18 - 240W Phasecut Dimmable Driver (US) (≤4 Rings)

LIGHT SOURCE  
Voltage - 24V  
Power Usage - 57.6W Per Ring  
Lumens - 6912lm Per Ring  
Colour Temperature - 3000K  
CRI - 95  
Average Lifespan - 50,000Hrs

CEILING ROSE  
Matt Black Aluminium

CABLE LENGTH  
Min 30cm (12") - Max 500cm (196.9")

COUNTRY OF ORIGIN  
New Zealand

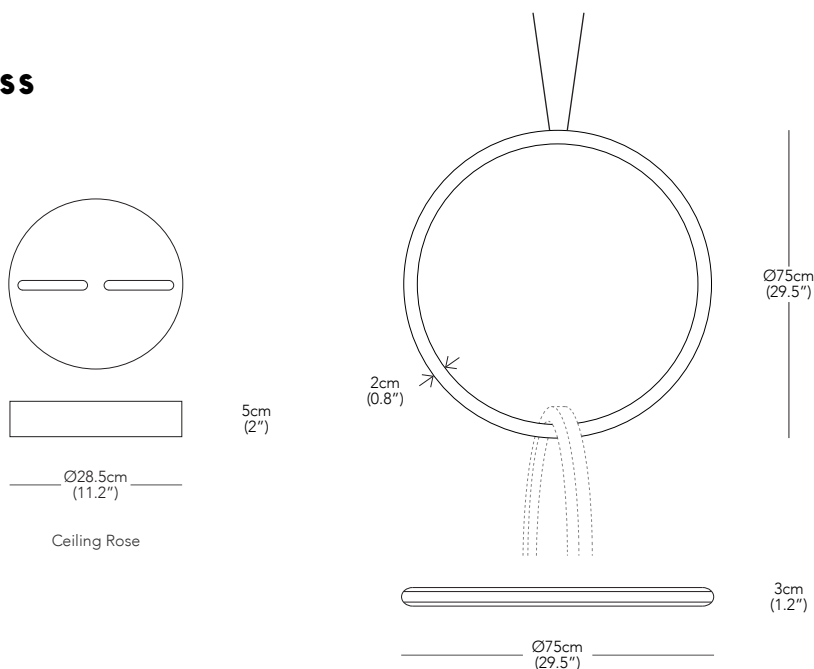
# Resident

## Circus 750 Pendant - Brass

DESIGNER  
Resident Studio / 2017

PRODUCT DESCRIPTION  
Pendant Light

PRODUCT CODE  
CIR032BR - Circus 750 Pendant, Brass, 2 Rings  
CIR033BR - Circus 750 Pendant, Brass, 3 Rings  
CIR034BR - Circus 750 Pendant, Brass, 4 Rings



\* Components drawn in relative scale. Refer to CAD files for accurate drawings.

MATERIALS  
Brass, Acrylic

COLOUR  
Raw Brushed Brass

PRODUCT ENVIRONMENT  
Indoor Use Only

APPROPRIATE FOR HARD CONTRACT USE  
Yes

CERTIFICATION  
CE

WARRANTY  
3 Years

### PACKAGED DIMENSIONS

1-3 Boxes Per Light  
Box A (Top & Bottom Ring, Assembly Kit)  
Box B (Middle Ring - 1 Ring Per Box)

W	D	H	
87	97	10cm	2 Rings
34.3	38.2	3.9"	0.08 m <sup>3</sup>
87	97	30cm	4 Rings
34.3	38.2	11.8"	0.25 m <sup>3</sup>
			8.83 ft <sup>3</sup>

### PACKAGED WEIGHT

2 Rings	4 Rings
13.7 kg	26.7 kg
30.2 lbs	58.9 lbs

### PRODUCT WEIGHT

2 Rings	4 Rings
9.5 kg	16.9 kg
20.9 lbs	37.3 lbs

### DIMMING

The Circus 750 Pendant is dimmable as standard and comes with a Phase Cut Dimmable Driver. The dimming options below are an additional purchase.

Compatible with the standard driver:  
DIM002 - Dimmer with Wall Switch

Dimmable drivers replacing the standard driver:

DC Dimming:

DRI08 - 120W 0-10V Dimmable Driver (2 Rings)

Dali Systems:

DRI14 - 150W Dimmable Dali Driver (2 Rings)

Universal Ac, Triac And Trailing Edge Dimming:

DRI17 - 240W Phasecut Dimmable Driver (EU) (≤4 Rings)

DRI18 - 240W Phasecut Dimmable Driver (US) (≤4 Rings)

### LIGHT SOURCE

Voltage - 24V

Power Usage - 57.6W Per Ring

Lumens - 6912lm Per Ring

Colour Temperature - 3000K

CRI - 95

Average Lifespan - 50,000Hrs

### CEILING ROSE

Matt Black Aluminium

### CABLE LENGTH

Min 30cm (12") - Max 500cm (196.9")

### COUNTRY OF ORIGIN

New Zealand