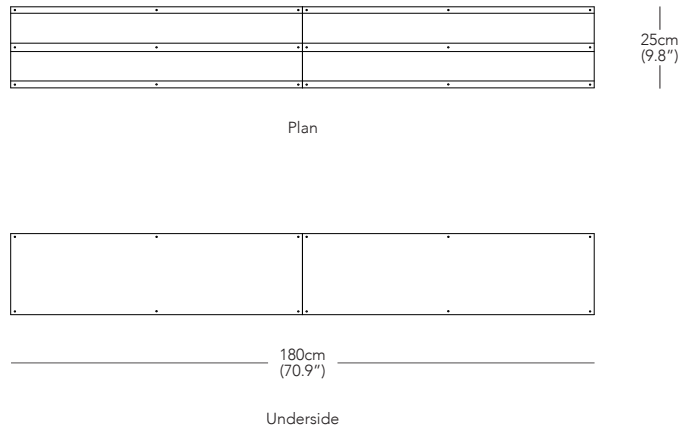
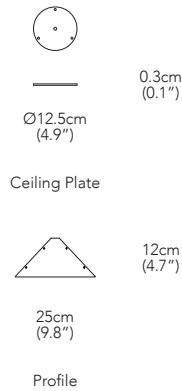


Resident

Cast Pendant Straight



DESIGNER
Philippe Malouin / 2019

PRODUCT DESCRIPTION
Pendant Light

PRODUCT CODE
CAS001 - Cast Pendant Straight

* Components drawn in relative scale. Refer to CAD files for accurate drawings.

MATERIALS
Fibre Glass, Resin

COLOUR
Raw Fibre Glass

PRODUCT ENVIRONMENT
Indoor Use Only

APPROPRIATE FOR HARD CONTRACT USE
Yes

CERTIFICATION
CE

WARRANTY
3 Years

PACKAGED DIMENSIONS
1 Box Per Light

W	D	H	Box
30 x	200 x	21cm	0.1 m ³
11.8 x	78.7 x	8.3"	3.53 ft ³

PACKAGED WEIGHT
20.0 kg
44.1 lbs

PRODUCT WEIGHT
4.8 kg
10.6 lbs

DIMMING
The Cast Pendant Straight is dimmable as standard and comes with a Phase Cut Dimmable Driver that is to be installed into the ceiling cavity. The dimming options below are an additional purchase.

Compatible with the standard driver:
DIM001 - Dimmer with Remote
DIM002 - Dimmer with Wall Switch

Dimmable drivers replacing the standard driver:
DC Dimming:
DRI06 - 60W 0-10V Dimmable Driver
Universal Ac, Triac And Trailing Edge Dimming:
DRI09 - 60W Phasecut Dimmable Driver (EU)
DRI11 - 60W Phasecut Dimmable Driver (US)
Dali Systems:
DRI13 - 75W Dimmable Dali Driver (US)

LIGHT SOURCE
Voltage - 24V
Power Usage - 44W
Lumens - 2520lm
Colour Temperature - 2800K
CRI - 95
Average Lifespan - 50,000Hrs

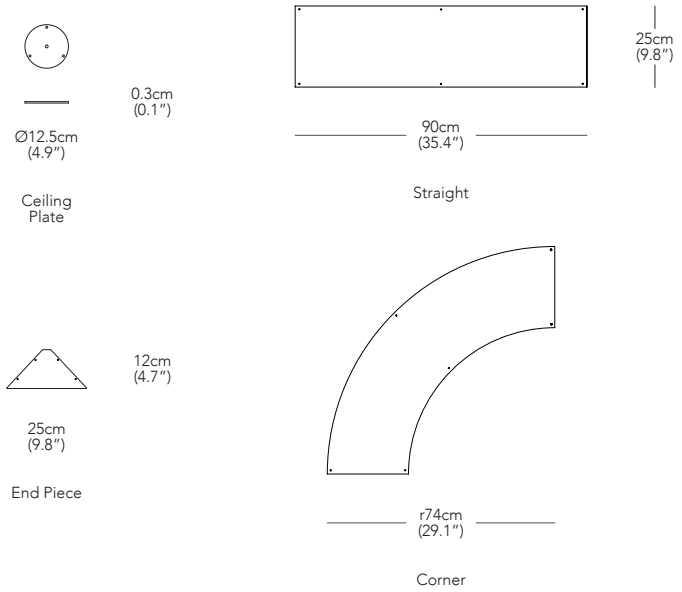
CEILING PLATE	Qty.
Matt Black Aluminium	3 (1 Per End & Centre)

CABLE LENGTH
Min 30cm (12") - Max 200cm (78")

COUNTRY OF ORIGIN
New Zealand

Resident

Cast Pendant Components



DESIGNER
Philippe Malouin / 2019

PRODUCT DESCRIPTION
Pendant Light Component

PRODUCT CODE
CAS01S - Cast Pendant Straight Component
CAS01C - Cast Pendant Corner Component

* Components drawn in relative scale. Refer to CAD files for accurate drawings.

MATERIALS
Fibre Glass, Resin

COLOUR
Raw Fibre Glass

PRODUCT ENVIRONMENT
Indoor Use Only

APPROPRIATE FOR HARD CONTRACT USE
Yes

CERTIFICATION
CE

WARRANTY
3 Years

PACKAGED DIMENSIONS
1 Box Per Light Component

W	D	H	
30 x 100 x 21cm			Straight
11.8 x 39.4 x 8.3"			0.1 m ³ 3.5 ft ³
90 x 90 x 21cm			Corner
35.4 x 35.4 x 8.3"			0.2 m ³ 7.1 ft ³

PACKAGED WEIGHT	
Straight	Corner
15.0 kg	15.0 kg
33.1 lbs	33.1 lbs

PRODUCT WEIGHT	
Straight	Corner
2.5 kg	2.9 kg
5.5 lbs	6.4 lbs

DIMMING
The Cast Pendant Components are dimmable as standard and comes with a Phase Cut Dimmable Driver that is to be installed into the ceiling cavity..

Dimming options are dependant on the overall configuration of the pendant.

LIGHT SOURCE
Voltage - 24V
Power Usage - 21.6W
Lumens - 1260lm
Colour Temperature - 2800K
CRI - 95
Average Lifespan - 50,000Hrs

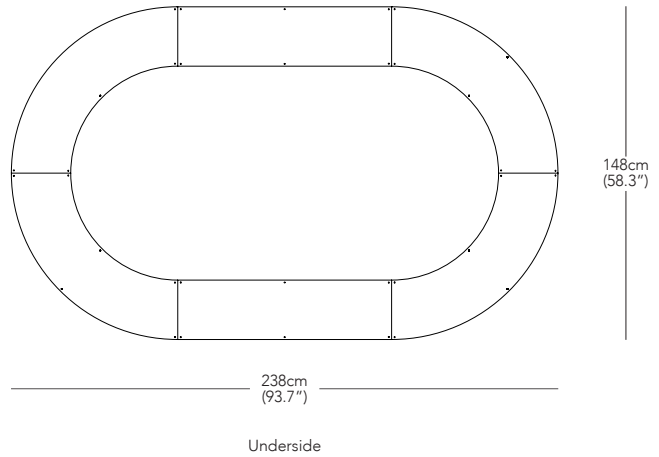
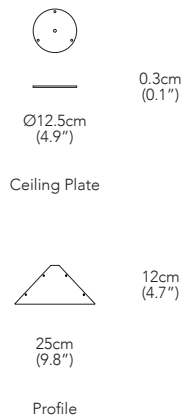
CEILING PLATE	Qty.
Matt Black Aluminium	Configuration Dependant

CABLE LENGTH
Min 30cm (12") - Max 200cm (78")

COUNTRY OF ORIGIN
New Zealand

Resident

Cast Pendant Oblong



DESIGNER
Philippe Malouin / 2019

PRODUCT DESCRIPTION
Pendant Light

PRODUCT CODE
CAS003 - Cast Pendant Oblong

* Components drawn in relative scale. Refer to CAD files for accurate drawings.

MATERIALS
Fibre Glass, Resin

COLOUR
Raw Fibre Glass

PRODUCT ENVIRONMENT
Indoor Use Only

APPROPRIATE FOR HARD CONTRACT USE
Yes

CERTIFICATION
CE

WARRANTY
3 Years

PACKAGED DIMENSIONS
1 Box Per Light

W	D	H	Box
260	160	21	0.9 m ³
102.4	63	8.3	31.7 ft ³

PACKAGED WEIGHT
70.0 kg
154.3 lbs

PRODUCT WEIGHT
15.4 kg
34.0 lbs

DIMMING
The Cast Pendant Oblong is dimmable as standard and comes with a Phase Cut Dimmable Driver that is to be installed into the ceiling cavity. The dimming options below are an additional purchase.

Compatible with the standard driver:
DIM002 - Dimmer with Wall Switch

Dimmable drivers replacing the standard driver:
Universal Ac, Triac And Trailing Edge Dimming:
DRI19 - 150W Phasecut Dimmable Driver (EU)
DRI20 - 150W Phasecut Dimmable Driver (US)
Dali Systems:
DRI14 - 150W Dimmable Dali Driver (US)

LIGHT SOURCE
Voltage - 24V
Power Usage - 130W
Lumens - 7560lm
Colour Temperature - 2800K
CRI - 95
Average Lifespan - 50,000Hrs

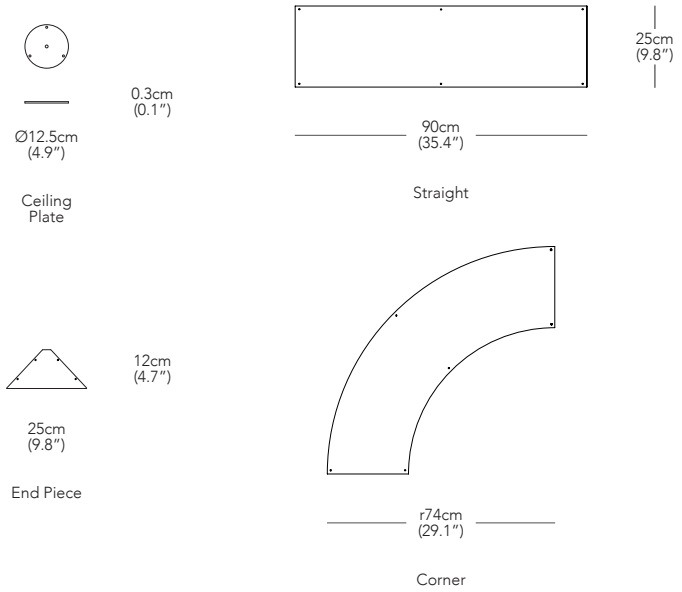
CEILING PLATE	Qty.
Matt Black Aluminium	4 (2 Per Linear Component)

CABLE LENGTH
Min 30cm (12") - Max 200cm (78")

COUNTRY OF ORIGIN
New Zealand

Resident

Cast Pendant Components



DESIGNER
Philippe Malouin / 2019

PRODUCT DESCRIPTION
Pendant Light Component

PRODUCT CODE
CAS01S - Cast Pendant Straight Component
CAS01C - Cast Pendant Corner Component

* Components drawn in relative scale. Refer to CAD files for accurate drawings.

MATERIALS
Fibre Glass, Resin

COLOUR
Raw Fibre Glass

PRODUCT ENVIRONMENT
Indoor Use Only

APPROPRIATE FOR HARD CONTRACT USE
Yes

CERTIFICATION
CE

WARRANTY
3 Years

PACKAGED DIMENSIONS
1 Box Per Light Component

W	D	H	
30 x 100 x 21cm			Straight
11.8 x 39.4 x 8.3"			0.1 m ³ 3.5 ft ³
90 x 90 x 21cm			Corner
35.4 x 35.4 x 8.3"			0.2 m ³ 7.1 ft ³

PACKAGED WEIGHT	
Straight	Corner
15.0 kg	15.0 kg
33.1 lbs	33.1 lbs

PRODUCT WEIGHT	
Straight	Corner
2.5 kg	2.9 kg
5.5 lbs	6.4 lbs

DIMMING
The Cast Pendant Components are dimmable as standard and comes with a Phase Cut Dimmable Driver that is to be installed into the ceiling cavity..

Dimming options are dependant on the overall configuration of the pendant.

LIGHT SOURCE
Voltage - 24V
Power Usage - 21.6W
Lumens - 1260lm
Colour Temperature - 2800K
CRI - 95
Average Lifespan - 50,000Hrs

CEILING PLATE Qty.
Matt Black Aluminium Configuration Dependant

CABLE LENGTH
Min 30cm (12") - Max 200cm (78")

COUNTRY OF ORIGIN
New Zealand