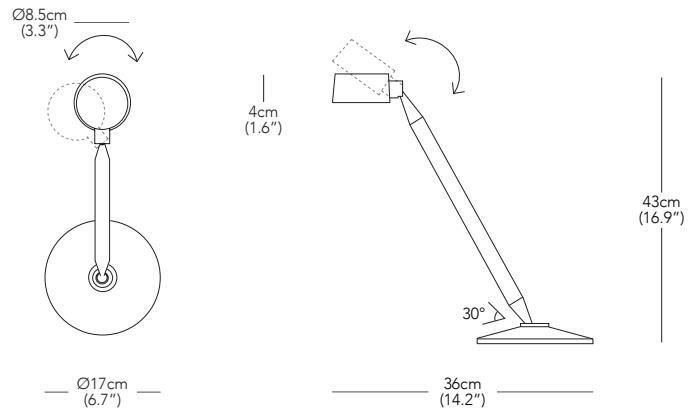


Resident

Buster Table Light



DESIGNER
Chris Martin / Massproductions / 2018

PRODUCT DESCRIPTION
Table Light

PRODUCT CODE
BUS001N - Buster Table Light, Nickel

* Components drawn in relative scale. Refer to CAD files for accurate drawings.

MATERIALS
Nickel Plated Stainless Steel

COLOUR
Brushed Nickel

PRODUCT ENVIRONMENT
Indoor Use Only

APPROPRIATE FOR HARD CONTRACT USE
Yes

CERTIFICATION
CE

WARRANTY
3 Years

PACKAGED DIMENSIONS
1 Box Per Light

W	D	H	Box
49 x	25 x	26cm	0.03 m ³
19.3 x	9.8 x	10.2"	1.25 ft ³

PACKAGED WEIGHT
2.6 kg
5.7 lbs

PRODUCT WEIGHT
1.6 kg
3.5 lbs

DIMMING
The Buster Table Light has an integrated touch dimming switch on the base plate of the light.

LIGHT SOURCE
Voltage - 24V
Power Usage - 5W
Lumens - 250lm
Colour Temperature - 3000K
CRI - 95
Average Lifespan - 50,000Hrs

CABLE LENGTH
250cm (98.4")

COUNTRY OF ORIGIN
China