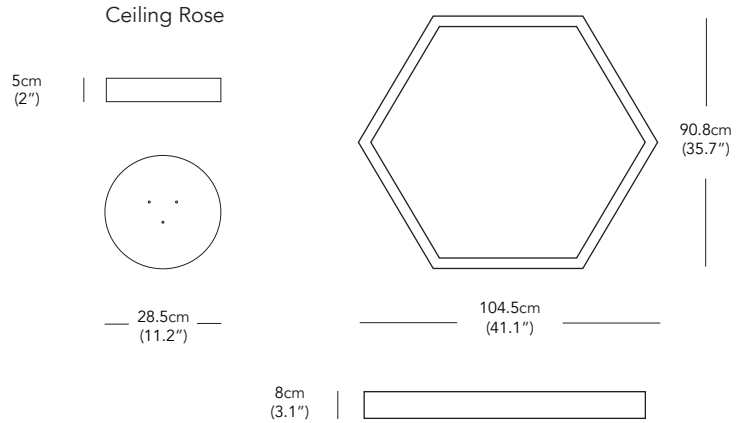


Resident Hex 1000 Pendant

Designer- Resident Studio / 2020



PRODUCT DESCRIPTION
Pendant Light

PRODUCT CODE
 HEX003W - Hex 1000 Pendant White
 HEX003B - Hex 1000 Pendant Black
 HEX003BR - Hex 1000 Pendant Brass

MATERIALS
Aluminium, Brass, Acrylic

COLOUR OPTIONS
 Matt White
 Matt Black
 Brushed Brass

PRODUCT ENVIRONMENT
Indoor Use Only

APPROPRIATE FOR HARD CONTRACT USE
Yes

WARRANTY
 3 Years
www.resident.co.nz/downloads
www.resident.co.nz/assistance

PACKAGED DIMENSIONS
1 per box

W	D	H	
122 x	114 x	11cm	0.15 m ³
78 x	44.9 x	4.3"	5.2 ft ³

PACKAGED WEIGHT

White / Black	Brass
12.5 kg	16 kg
27.6 lbs	35.3 lbs

PRODUCT WEIGHT

White / Black	Brass
7 kg	11.5 kg
15.4 lbs	25.4 lbs

DIMMING OPTIONS
 The Hex 1000 Pendant is non dimmable as standard unless installed with the below dimming options. These options are an additional purchase.

DRI09 & DRI11 are dimmable drivers used in place of the standard driver.

For Universal Ac, Triac And Trailing Edge Dimming:
 DRI9 - 150W Phasecut Dimmable Driver (EU)
 DRI20 - 150W Phasecut Dimmable Driver (US)
 DRI08 - 120W Driver / 0-10V Dimming

LIGHT SOURCE
 Voltage - 24V
 Power Usage - 150W
 Lumens - 4724lm
 Colour Temperature - 2700K
 CRI - 95
 Average Lifespan - 50,000 Hours
 Transformer - 150W 24V Non Dimmable Included

CABLE LENGTH
 Min 30cm (12") - Max 200cm (78")

CERTIFICATION
CE