



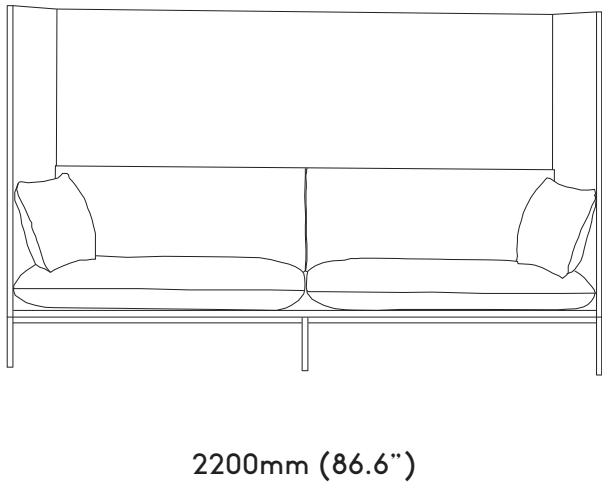
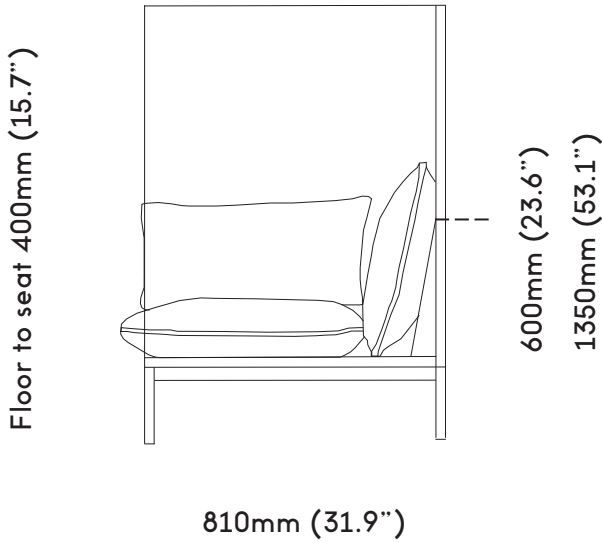
# Carousel Sofa High Back

**Designer- Cameron Foggo/ Year 2018**

The Carousel sofa blurs the barriers between residential and commercial furniture, conveniently available in low, mid and high back - dependant on the level of privacy required. Although masculine in appearance Carousel is softened by generously sized cushions and sits upon an elegantly refined blackened steel frame, multifunctional, elegant & timeless, quality's evocative of great mid century design.

## Resident

Resident Headquarters  
61 Upper Queen Street  
Newton Auckland New Zealand  
Ph +64 9 601 9241  
[www.resident.co.nz](http://www.resident.co.nz)



**Product Description**  
Multifunctional Sofa

**Product Code**  
CAR003

**Materials**  
Multi density feather and foam system  
Timber and Steel frame

**Upholstery Options**  
Category one- Revision by Resident  
Category two- Meld by Maharam  
Linara by Romo  
Category three- Ascona by Pelle Leather  
Fabric usage 18m (19.7 yards) per sofa  
Leather usage 30m (32.8 yards) per sofa

**Packaging dimensions**  
W 220 x D 81 x H 135 cm  
W 91.6 x D 36.9 x H 58.1 inch  
CBM - 3.13  
CBF - 110.5

**Packaging weight**  
128 kg  
282 lbs

**Appropriate for hard contract use**  
Yes

**Warranty**  
3 Years

# Resident

Resident Headquarters  
61 Upper Queen Street  
Newton Auckland New Zealand  
Ph +64 9 601 9241  
www.resident.co.nz